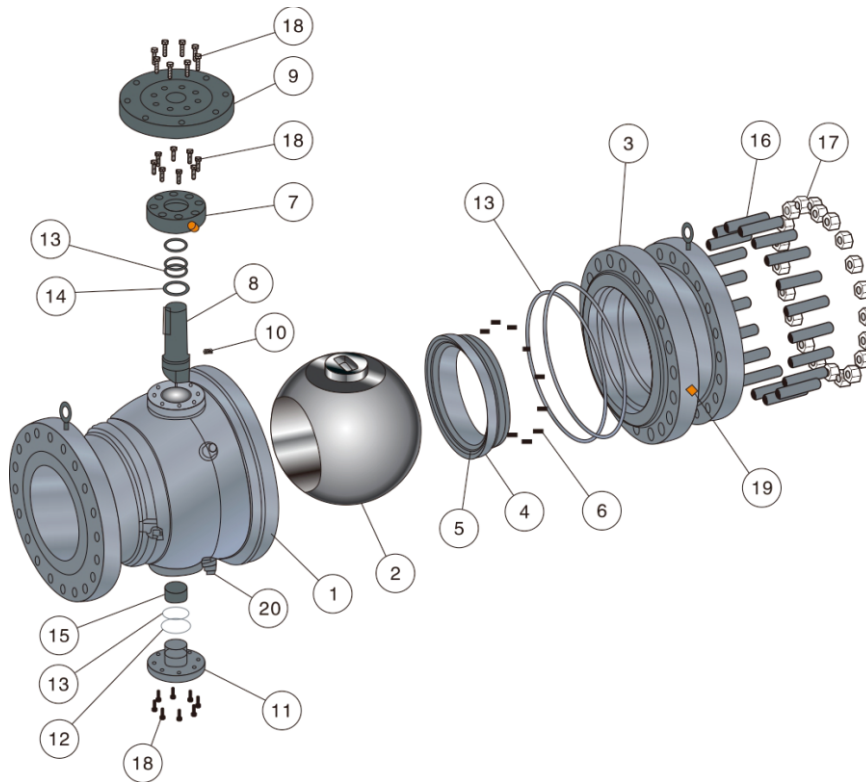


MODEL NO.:EFC-02BV1R3  
 Size:2" ~ 48" (DN50 ~ DN1200)  
 Class:CL150 ~ CL900

## TRUNNION TYPE ( CASTING )



### Material

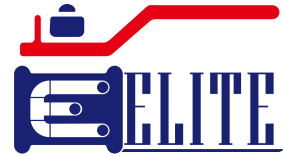
NO.	PART NAME	STANDARD MATERIALS			
		CARBON STEEL	ALLOY STEEL	STAINLESS STEEL	DUPLEX STEEL
1	BODY	A216 WCB	A217 WC6	A351 CF8M	A995 4A
2	BALL	A105+ENP/A182 F6a/F304/F316/F51		A182 F316/F51	A182 F51/F53/F55
3	CLOSURE	A216 WCB	A217 WC6	A351 CF8M	A995 4A
4	SEAT RING	A105+ENP/A182 F6a/F304/F316/F51		A182 F316/F51	A182 F51/F53/F55
5	SEAT INSERT	PTFE/RPTFE/NYLON/DEVLON/PEEK			
6	SPRING	17-7PH/INCONELX-750			
7	STUFFING BOX	A105+ENP	A105+ENP	A182 F316	A182 F51
8	STEM	A182 F6a/F304/F316/17-4PH		A182 F316/17-4PH/F51	A182 F51/F53/F55
9	CONNECTION PLATE	A105	A105	A182 F316	A182 F51
10	ANTI STATIC DEVICE	SS316			
11	LOW TRUNNION	A105+ENP	A105+ENP	A182 F316	A182 F51
12	CLOSURE GASKET	SS+GRAPHITE/SS+PTFE			
13	O-RING	VITON/NBR/HNBR/FVMQ			
14	THRUST WASHER	PTFE/RPTFE			
15	BEARING	SS+PTFE/SS			
16	CLOSURE STUD	A193 B7	A193 B16	A193 B8/A193 B8M	
17	CLOSURE NUT	A194 2H	A194 4	A194 8/A194 8M	
18	CAP SCREW	A193 B7	A193 B16	A193 B8/A193 B8M	
19	SEALANT FITTING	CARBON STEEL		SATINLESS STEEL	
20	DRAIN VALVE	CARBON STEEL		SATINLESS STEEL	

NOTE: Metal-to-metal seated ball valve designs are available upon request.

The material is according to ASTM Standard.

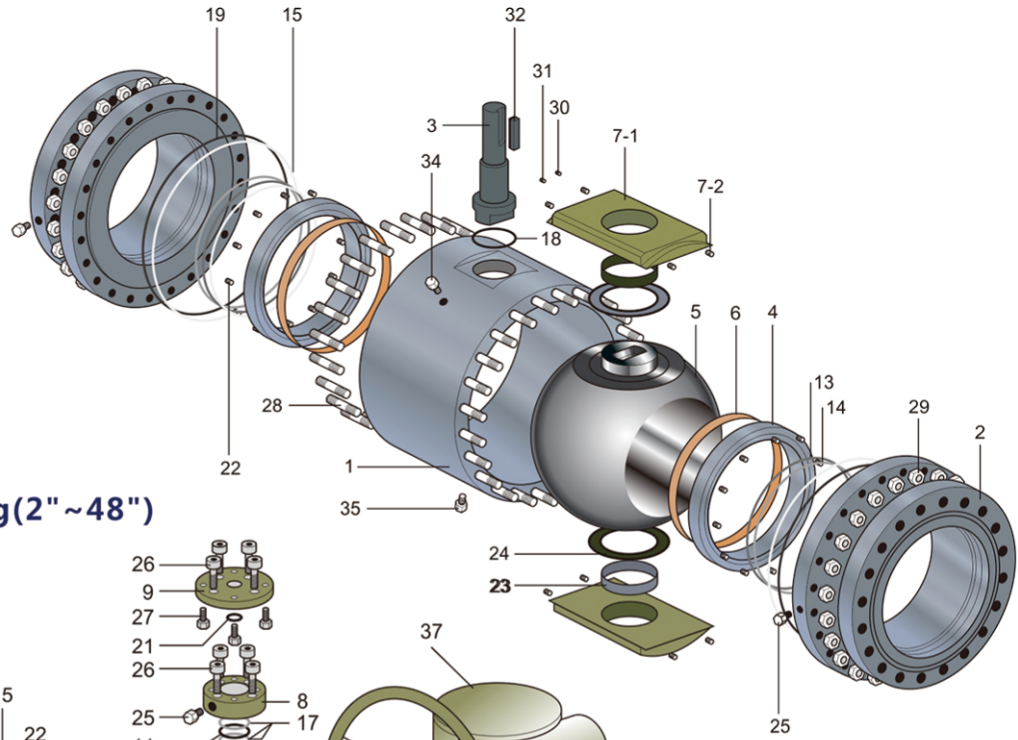
Model Denote: EFC=Elite Flow Control | 02=Size in inch | BV=Ball Valve | 1=150Lb | R=RF End | 3=Trunnion, Split Body.

MODEL NO.:EFC-02BV1R3  
 Size:2" ~ 48" (DN50 ~ DN1200)  
 Class:CL150 ~ CL2500

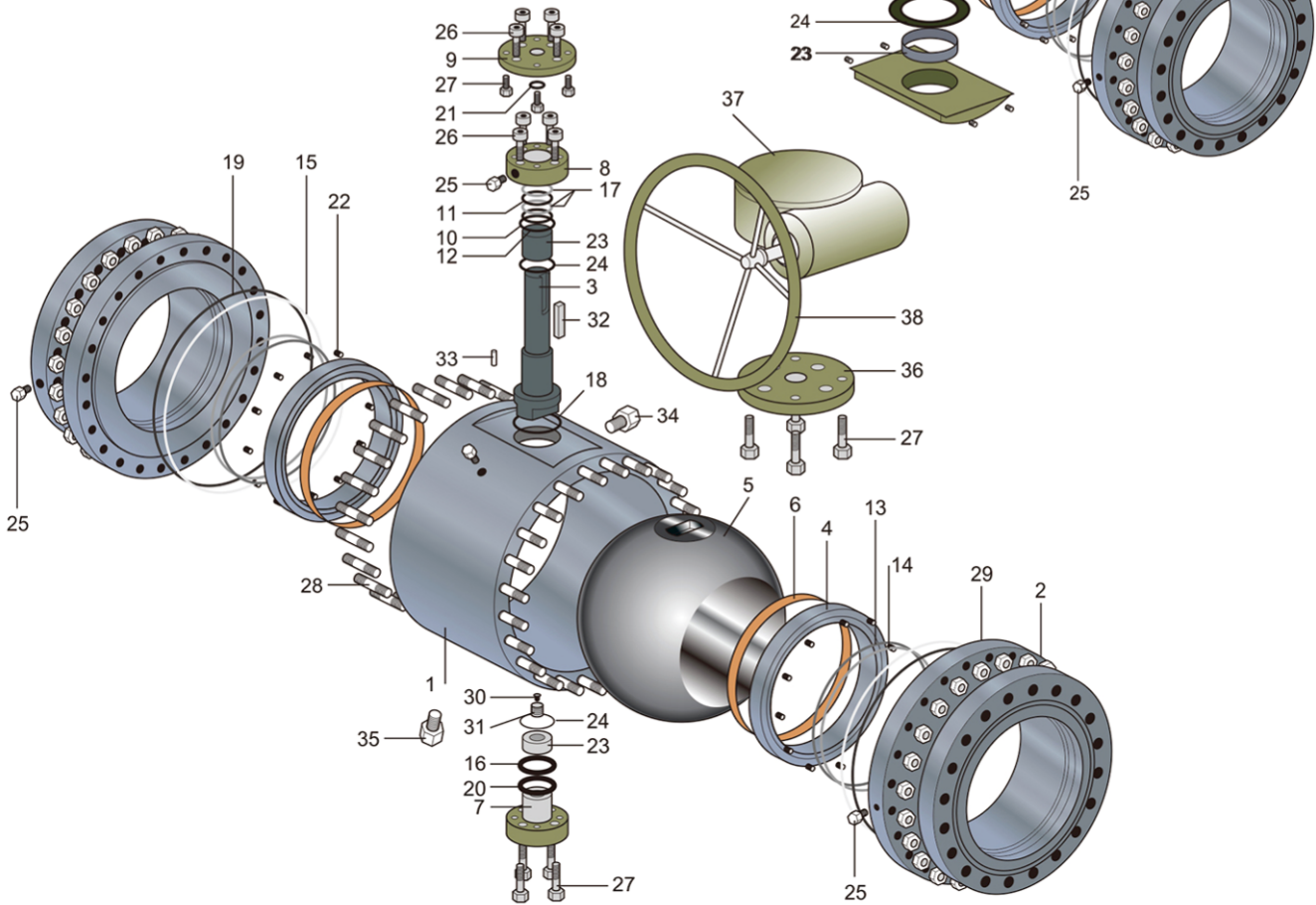


# TRUNNION TYPE ( FORGED )

## Trunnion Block(8" ~ 48")



## Trunnion Mounting(2" ~ 48")



The material is according to ASTM Standard.  
 Model Denote:EFC=Elite Flow Control | 02=Size in inch | BV=Ball Valve | 1=150Lb | R=RF End | 3=Trunnion, Split Body.



**MODEL NO.:EFC-02BV1R3**  
**Size:2" ~ 48" (DN50 ~ DN1200)**  
**Class:CL150 ~ CL2500**

## TRUNNION TYPE ( FORGED )

NO.	PART NAME	STANDARD MATERIALS			
		CARBON STEEL	ALLOY STEEL	STAINLESS STEEL	DUPLEX STEEL
1	BODY	A105	A182 F11	A182 F316	A182 F51
2	CLOSURE	A105	A182 F11	A182 F316	A182 F51
3	STEM	A182 F6a/F304/F316/17-4PH		A182 F316/F51	A182 F51/F53/F55
4	SEAT RING	A105+ENP/A182 F6a/F304/F316/F51		A182 F316/F51	A182 F51/F53/F55
5	BALL	A105+ENP/A182 F6a/F304/F316/F51		A182 F316/F51	A182 F51/F53/F55
6	SEAT INSERT	PTFE/RPTFE/NYLON/DEVLON/PEEK			
7	TRUNNION MOUNTING	A105+ENP/A182 F11		A182 F316	A182 F51
7-1	TRUNNION BLOCK	A105+ENP/A182 F11		A182 F316	A182 F51
7-2	TRUNNION BLOCK PIN	SS410/SS304/SS316		SS316	SS316
8	STUFFING BOX	A105+ENP		A182 F316	A182 F51
9	CONNECTION PLATE	A105+ENP		A182 F316	A182 F51
10	STEM O-RING	VITON/NBR/HNBR/FVMQ			
11	STEM O-RING	VITON/NBR/HNBR/FVMQ			
12	GLAND O-RING	VITON/NBR/HNBR/FVMQ			
13	SEAT O-RING	VITON/NBR/HNBR/FVMQ			
14	SEAT SUBSEAL	VITON/NBR/HNBR/FVMQ/GRAPHITE			
15	CLOSURE O-RING	VITON/NBR/HNBR/FVMQ			
16	TRUNNION O-RING	VITON/NBR/HNBR/FVMQ			
17	BACKUP RING	PTFE/NYLON			
18	GLAND GASKET	SS+GRAPHITE/SS+PTFE			
19	CLOSURE GASKET	SS+GRAPHITE/SS+PTFE			
20	TRUNNION O-RING	VITON/NBR/HNBR/FVMQ			
21	STEM PACKING	PTFE/GRAPHITE			
22	SEAT SPRING	17-7PH/INCONELX-750			
23	BEARING	SS+PTFE/SS+NITRIDING			
24	THRUST WASHER	PTFE/RPTFE/DEVLON			
25	SEALANT FITTING	CARBON STEEL		STAINLESS STEEL	
26	SCREW	A193 B7	A193 B16	A193 B8(M)	
27	SCREW	A193 B7	A193 B16	A193 B8(M)	
28	STUD	A193 B7	A193 B16	A193 B8(M)	
29	NUT	A194 2H	A194 4	A194 8(M)	
30	GROUNDING BALL	STAINLESS STEEL			
31	GROUNDING SPRING	STAINLESS STEEL			
32	STEM KEY	AISI 1045			
33	POSITIONING PIN	CARBON STEEL		STAINLESS STEEL	
34	VENT PLUG	CARBON STEEL		STAINLESS STEEL	
35	DRAIN PLUG	CARBON STEEL		STAINLESS STEEL	
36	CONNECTION PLATE	A105	A105/A182 F11	A182 F316	A182 F51
37	GEAR	DUCTILE IRON,CARBON STEEL			
38	HANDWHEEL	DUCTILE IRON,CARBON STEEL			

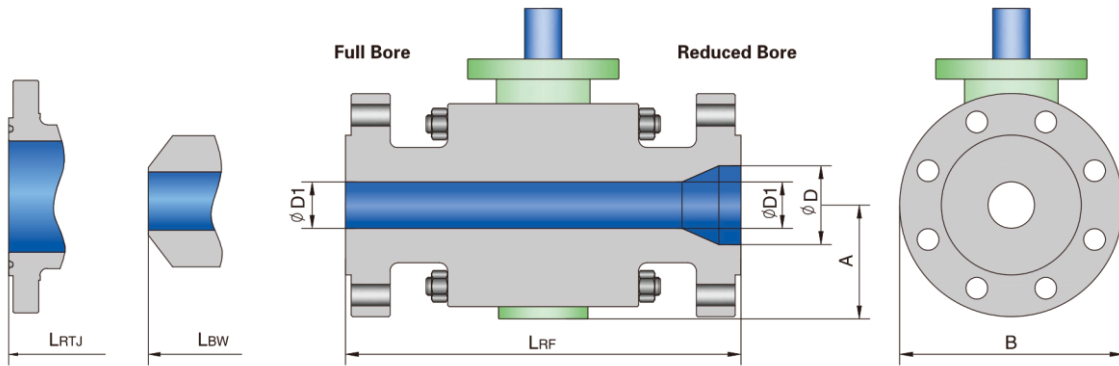
NOTE: Metal-to-metal seated ball valve designs are available upon request.

The material is according to ASTM Standard.

Model Denote: EFC=Elite Flow Control | 02=Size in inch | BV=Ball Valve | 1=150Lb | R=RF End | 3=Trunnion, Split Body.

# TRUNNION BALL VALVE

## Dimension & Weights

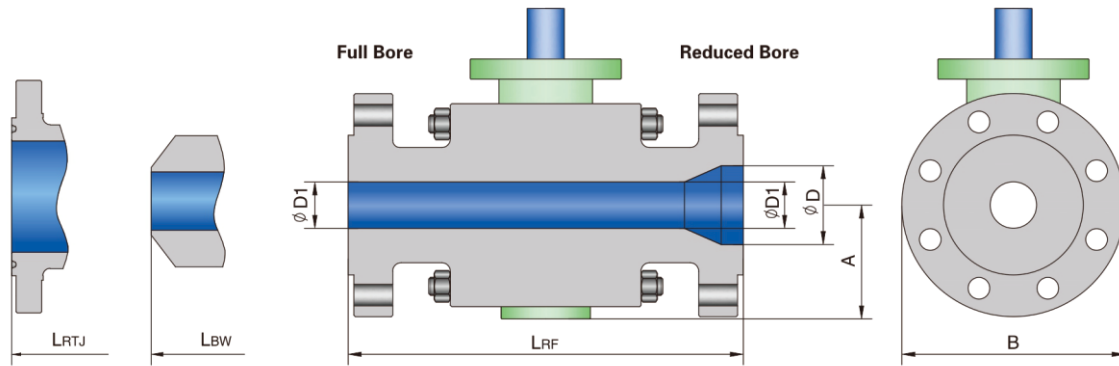


## ASME CLASS 150 FULL BORE

Size in/mm	$\phi D$	$\phi D1$	L			A	B	Weight	
			RF	RTJ	BW			RF/RTJ(Lb/kg)	BW(Lb/kg)
2	1.94	1.94	7	7.5	8.5	3.4	5.9	40	35
50	49	49	178	191	216	86	150	18	16
2 1/2	2.44	2.44	7.5	8	9.5	3.9	7.3	62	55
65	62	62	190	203	241	100	185	28	25
3	2.94	2.94	8	8.5	11.12	4.9	7.8	73	66
80	74	74	203	216	282	125	198	33	30
4	3.94	3.94	9	9.5	12	5.2	9	110	99
100	100	100	229	242	305	132	230	50	45
6	5.94	5.94	15.5	16	18	7.2	12.6	286	271
150	150	150	394	407	457	184	320	130	123
8	7.94	7.94	18	18.5	20.5	9	15.7	506	484
200	201	201	457	470	521	228	398	230	220
10	9.94	9.94	21	21.5	22	10.6	19.1	847	770
250	252	252	533	546	559	268	485	385	350
12	11.94	11.94	24	24.5	25	12.9	22.2	1342	1232
300	303	303	610	623	635	327	565	610	560
14	13.19	13.19	27	27.5	30	14.8	14	1760	1703
350	334	334	686	699	762	375	610	800	774
16	15.19	15.19	30	30.5	33	16	27.9	2640	2420
400	385	385	762	775	838	405	708	1200	1100
18	17.19	17.19	34	34.5	36	18.3	30.1	3388	3124
450	436	436	864	877	914	465	765	1540	1420
20	19.19	19.19	36	36.5	39	21.7	34.3	4048	3850
500	487	487	914	927	991	550	870	1840	1750
22	21.19	21.19	39	39.5	43	22.5	37	4928	4774
550	538	538	991	1004	1092	572	940	2240	2170
24	23.19	23.19	42	42.5	45	24	40.4	6820	6006
600	589	589	1067	1080	1143	610	1026	3100	2730
26	24.94	24.94	45	-	49	24.8	43.7	8030	7524
650	633	633	1143	-	1245	630	1110	3650	3420
28	26.94	26.94	49	-	53	27	46.3	9636	9064
700	684	684	1245	-	1346	685	1175	4380	4120
30	28.94	28.94	51	-	55	28	49.8	11814	10780
750	735	735	1295	-	1397	710	1265	5370	4900
32	30.69	30.69	54	-	60	30.3	53.1	13310	12716
800	779	779	1372	-	1524	770	1350	6050	5780
34	32.69	32.69	58	-	64	31.3	55.1	15180	14146
850	830	830	1473	-	1626	795	1400	6900	6430
36	34.44	34.44	60	-	68	35.6	58.3	18920	16720
900	874	874	1524	-	1727	905	1480	8600	7600
40	38.44	38.44	70.87	-	70.87	37	66.9	24200	21340
1000	976	976	1800	-	1800	940	1700	11000	9700
42	40.19	40.19	74.8	-	74.8	38.4	66.9	31900	24816
1050	1020	1020	1900	-	1900	975	1700	14500	11280
48	45.94	45.94	82.68	-	82.68	42.7	76.4	39600	35420
1200	1166	1166	2100	-	2100	1085	1940	18000	16100

# TRUNNION BALL VALVE

## Dimension & Weights

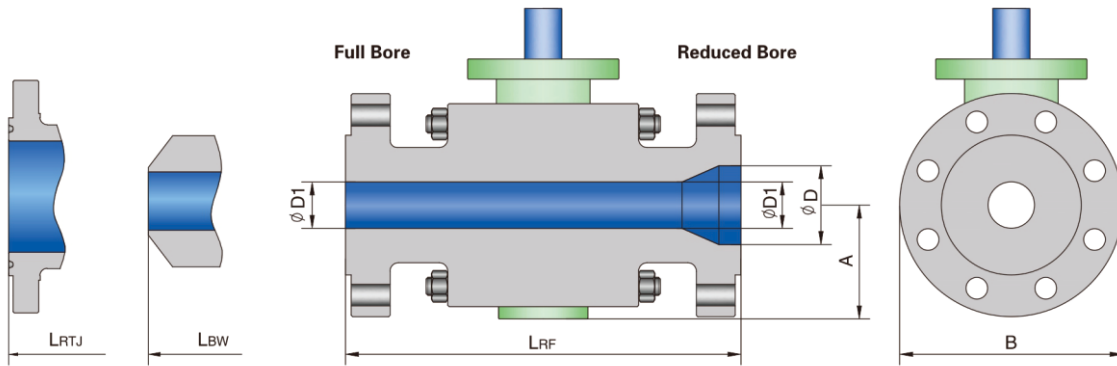


## ASME CLASS 150 REDUCED BORE

Size in/mm	$\phi D$	$\phi D1$	L			A	B	Weight	
			RF	RTJ	BW			RF/RTJ(Lb/kg)	BW(Lb/kg)
2 x 1 1/2	1.94	1.5	7	7.5	8.5	3.3	5.9	33	26
50 x 40	49	38	178	191	216	86	150	15	12
2 1/2 x 2	2.44	1.94	7.5	8	9.5	3.3	7.1	49	42
65 x 50	62	49	190	203	241	86	180	22	19
3 x 2	2.94	1.94	8	8.5	11.12	3.3	7.5	55	48
80 x 50	74	49	203	216	282	86	190	25	22
4 x 3	3.94	2.94	9	9.5	12	4.9	9.1	97	81
100 x 80	100	74	229	242	305	125	230	44	37
6 x 4	5.94	3.94	15.5	16	18	5.5	11	154	147
150 x 100	150	100	394	407	457	140	280	70	67
8 x 6	7.94	5.94	18	18.5	20.5	7.2	13.6	436	414
200 x 150	201	150	457	470	521	184	345	198	188
10 x 8	9.94	7.94	21	21.5	22	9	1.6	715	671
250 x 200	252	201	533	546	559	228	405	325	305
12 x 10	11.94	9.94	24	24.5	25	10.6	19.1	913	843
300 x 250	303	252	610	623	635	268	485	415	383
14 x 10	13.19	9.94	27	27.5	30	10.6	21	1151	1104
350 x 250	334	252	686	699	762	268	535	523	502
16 x 12	15.19	11.94	30	30.5	33	12.9	23.4	1639	1551
400 x 300	385	303	762	775	838	327	595	745	705
18 x 14	17.19	13.19	34	34.5	36	14.8	25	2288	2002
450 x 350	436	334	864	877	914	375	635	1040	910
20 x 16	19.19	15.19	36	36.5	39	15.9	27.6	2574	2134
500 x 400	487	385	914	927	991	405	700	1170	970
24 x 20	23.19	19.19	42	42.5	45	21.7	34.3	4213	4026
600 x 500	589	487	1067	1080	1143	550	870	1915	1830
30 x 24	28.94	23.19	51	-	55	24	40.4	8052	7744
750 x 600	735	589	1295	-	1397	610	1026	3660	3520
36 x 30	34.44	28.94	60	-	68	28	49.8	13420	12760
900 x 750	874	735	1524	-	1727	710	1265	6100	5800

# TRUNNION BALL VALVE

## Dimension & Weights

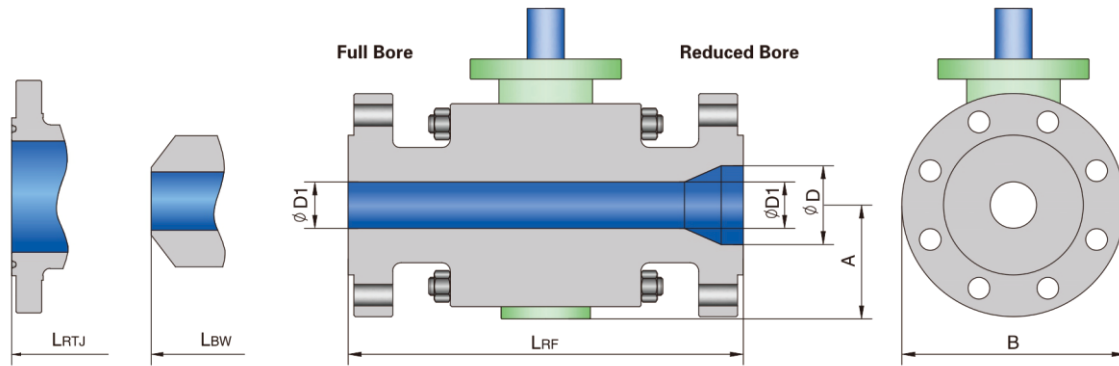


## ASME CLASS 300 FULL BORE

Size in/mm	ø D	ø D1	L			A	B	Weight	
			RF	RTJ	BW			RF/RTJ(Lb/kg)	BW(Lb/kg)
2	1.94	1.94	8.5	9.12	8.5	3.6	6.5	62	51
50	49	49	216	232	216	91	165	28	23
2 1/2	2.44	2.44	9.5	10.12	9.5	3.7	7.3	99	92
65	62	62	241	257	241	95	185	45	42
3	2.94	2.94	11.12	11.74	11.12	5	8.3	123	92
80	74	74	282	298	282	126	210	56	42
4	3.94	3.94	12	12.62	12	5.2	10	172	132
100	100	100	305	321	305	132	255	78	60
6	5.94	5.94	15.88	16.5	18	7.4	13	396	308
150	150	150	403	419	457	189	330	180	140
8	7.94	7.94	19.75	20.37	20.5	9	15.7	647	539
200	201	201	502	518	521	228	398	294	245
10	9.94	9.94	22.38	23	22	10.6	19.1	869	726
250	252	252	568	584	559	268	485	395	330
12	11.94	11.94	25.5	26.12	25	12.9	23.2	1463	1232
300	303	303	648	664	635	327	590	665	560
14	13.19	13.19	30	30.62	30	15.2	24.8	2178	1892
350	334	334	762	778	762	385	630	990	860
16	15.19	15.19	33	33.62	33	15.9	28.2	2829	2277
400	385	385	838	854	838	405	716	1286	1035
18	17.19	17.19	36	36.62	36	18.9	31.5	3520	3080
450	436	436	914	930	914	480	800	1600	1400
20	19.19	19.19	39	39.75	39	21.7	34.3	4268	3872
500	487	487	991	1010	991	550	870	1940	1760
22	21.19	21.19	43	43.88	43	22.6	37.8	5390	4840
550	538	538	1092	1114	1092	575	960	2450	2200
24	23.19	23.19	45	45.88	45	24	40.6	6622	6336
600	589	589	1143	1165	1143	610	1030	3010	2880
26	24.94	24.94	49	50	49	24.8	43.1	8404	7810
650	633	633	1245	1270	1245	630	1095	3820	3550
28	26.94	26.94	53	54	53	27.6	46.9	10604	9372
700	684	684	1346	1371	1346	700	1190	4820	4260
30	28.94	28.94	55	56	55	28	49.8	12320	11330
750	735	735	1397	1422	1397	710	1265	5600	5150
32	30.69	30.69	60	61.12	60	30.7	53.1	14190	12430
800	779	779	1524	1552	1524	780	1350	6450	5650
34	32.69	32.69	64	65.12	64	31.9	47.8	15510	14190
850	830	830	1626	1654	1626	810	1215	7050	6450
36	34.44	34.44	68	69.12	68	35.6	58.3	19800	18480
900	874	874	1727	1755	1727	905	1480	9000	8400
40	38.44	38.44	76.77	-	76.77	37	65	24200	22660
1000	976	976	1950	-	1950	940	1650	11000	10300
42	40.19	40.19	82.68	-	82.68	38.2	66.9	31900	29920
1050	1020	1020	2100	-	2100	970	1700	14500	13600
48	45.94	45.94	85.43	-	85.43	44.1	77.4	39600	37620
1200	1166	1166	2170	-	2170	1120	1965	18000	17100

# TRUNNION BALL VALVE

## Dimension & Weights

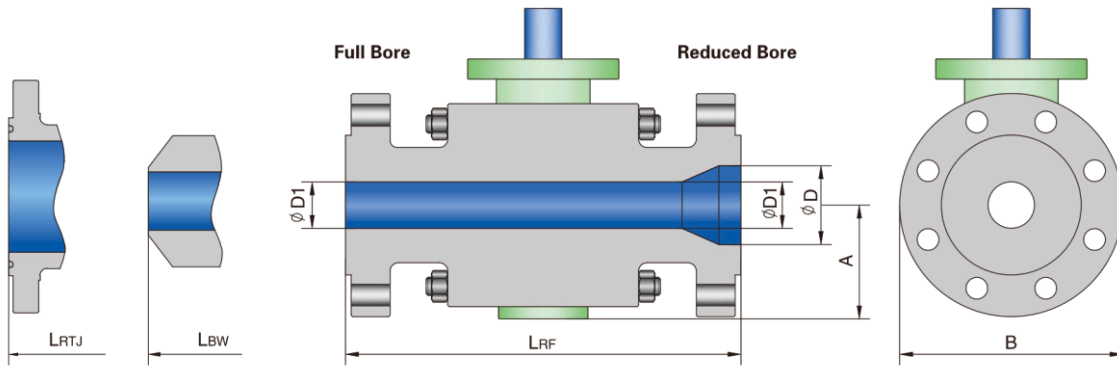


## ASME CLASS 300 REDUCED BORE

Size in/mm	øD	øD1	L			A	B	Weight	
			RF	RTJ	BW			RF/RTJ(Lb/kg)	BW(Lb/kg)
2 × 1 1/2	1.94	1.5	8.5	9.12	8.5	3.5	6.5	40	26
50 × 40	49	38	216	232	216	90	165	18	12
2 1/2 × 2	2.44	1.94	9.5	10.12	9.5	3.6	6.5	57	48
65 × 50	62	49	241	257	241	91	165	26	22
3 × 2	2.94	1.94	11.12	11.74	11.12	3.6	8.3	70	51
80 × 50	74	49	282	298	282	91	210	32	23
4 × 3	3.94	2.94	12	12.62	12	5	10	119	90
100 × 80	100	74	305	321	305	128	255	54	41
6 × 4	5.94	3.94	15.88	16.5	18	6.3	12.6	220	165
150 × 100	150	100	403	419	457	160	320	100	75
8 × 6	7.94	5.94	19.75	20.37	20.5	7.5	15	495	451
200 × 150	201	150	502	518	521	190	380	225	205
10 × 8	9.94	7.94	22.38	23	22	9	17.5	803	748
250 × 200	252	201	568	584	559	228	445	365	340
12 × 10	11.94	9.94	25.5	26.12	25	10.6	20.5	1320	1239
300 × 250	303	252	648	664	635	268	520	600	563
14 × 10	13.19	9.94	30	30.62	30	10.6	23	1430	1327
350 × 250	334	252	762	778	762	268	585	650	603
16 × 12	15.19	11.94	33	33.62	33	12.9	25.6	1782	1586
400 × 300	385	303	838	854	838	327	650	810	721
18 × 14	17.19	13.19	36	36.62	36	15.2	28	3300	3102
450 × 350	436	334	914	930	914	385	710	1500	1410
20 × 16	19.19	15.19	39	39.75	39	16	30.5	4290	3630
500 × 400	487	385	991	1010	991	405	775	1950	1650
24 × 20	23.19	19.19	45	45.88	45	21.7	36	5500	4950
600 × 500	589	487	1143	1165	1143	550	915	2500	2250
30 × 24	28.94	23.19	55	56	55	24	42.9	9350	8492
750 × 600	735	589	1397	1422	1397	610	1090	4250	3860
36 × 30	34.44	28.94	68	69.12	68	28	50	13900	12892
900 × 750	874	735	1727	1755	1727	710	1270	6350	5860

# TRUNNION BALL VALVE

## Dimension & Weights



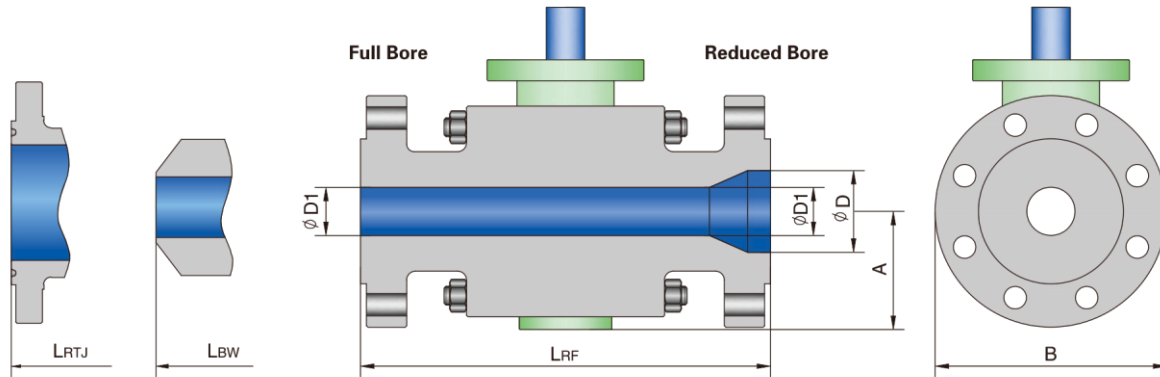
## ASME CLASS 600 FULL BORE

Size in/mm	$\phi D$	$\phi D1$	L			A	B	Weight	
			RF	RTJ	BW			RF/RTJ(Lb/kg)	BW(Lb/kg)
2	1.94	1.94	11.5	11.62	11.5	3.7	6.5	73	62
50	49	49	292	295	292	95	165	33	28
2 1/2	2.44	2.44	13	13.12	13	3.9	7.7	119	106
65	62	62	330	333	330	100	195	54	48
3	2.94	2.94	14	14.12	14	5	8.3	150	110
80	74	74	356	359	356	128	210	68	50
4	3.94	3.94	17	17.12	17	5.8	11.6	242	209
100	100	100	432	435	432	148	295	110	95
6	5.94	5.94	22	22.12	22	7.7	14	528	444
150	150	150	559	562	559	195	355	240	202
8	7.94	7.94	26	26.12	26	9.6	16.5	796	638
200	201	201	660	663	660	245	420	362	290
10	9.94	9.94	31	31.12	31	11.4	20	1166	898
250	252	252	787	790	787	290	510	530	408
12	11.94	11.94	33	33.12	33	14.2	22.8	1727	1430
300	303	303	838	841	838	360	580	785	650
14	13.19	13.19	35	35.12	35	15.6	25	2376	2002
350	334	334	889	891	889	395	635	1080	910
16	15.19	15.19	39	39.12	39	16.7	28.3	3564	3080
400	385	385	991	994	991	425	720	1620	1400
18	17.19	17.19	43	43.12	43	19.3	32.3	3982	3630
450	436	436	1092	1095	1092	490	820	1810	1650
20	19.19	19.19	47	47.25	47	22.6	36.2	5500	4814
500	487	487	1194	1200	1194	575	920	2500	2190
22	21.19	21.19	51	51.38	51	23.2	37.8	6270	5544
550	538	538	1295	1305	1295	590	960	2850	2520
24	23.19	23.19	55	55.38	55	23.8	41	8492	7612
600	589	589	1397	1407	1397	605	1043	3860	3460
26	24.94	24.94	57	57.5	57	25.6	43.9	9504	8470
650	633	633	1448	1461	1448	650	1115	4320	3850
28	26.94	26.94	61	61.5	61	26.8	48	12848	11660
700	684	684	1549	1562	1549	680	1220	5840	5300
30	28.94	28.94	65	65.5	65	29.9	51.8	15686	14080
750	735	735	1651	1664	1651	760	1315	7130	6400
32	30.69	30.69	70	70.62	70	31.1	55.5	20240	18260
800	779	779	1778	1794	1778	790	1410	9200	8300
34	32.69	32.69	76	76.62	76	33.1	56.3	22660	20900
850	830	830	1930	1946	1930	840	1480	10300	9500
36	34.44	34.44	82	82.62	82	35	60.9	25740	23100
900	874	874	2083	2099	2083	890	1546	11700	10500
40	38.44	38.44	80.71		80.71	37.8	65.6	31460	29172
1000	976	976	2050		2050	960	1665	14300	13260
42	40.19	40.19	82.68		82.68	40.9	72.8	36080	33660
1050	1020	1020	2100		2100	1040	1850	16400	15300
48	45.94	45.94	94.49		94.49	46.9	78.3	49940	46200
1200	1166	1166	2400		2400	1190	1990	22700	21000



# TRUNNION BALL VALVE

## Dimension & Weights

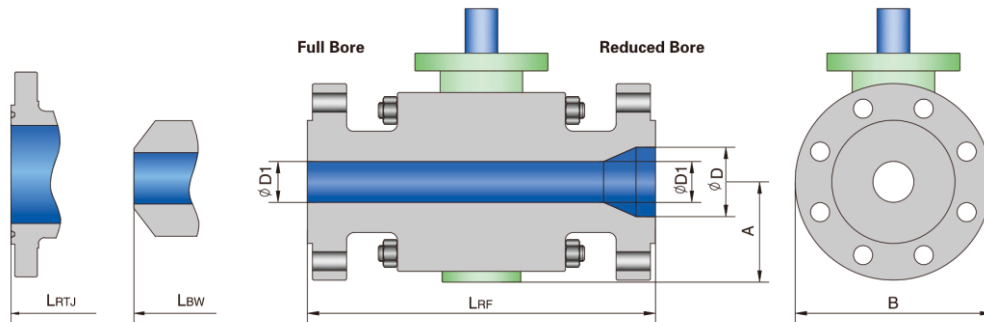


## ASME CLASS 600 REDUCED BORE

Size in/mm	øD	øD1	L			A	B	Weight	
			RF	RTJ	BW			RF/RTJ(Lb/kg)	BW(Lb/kg)
2 × 1 1/2	1.94	1.5	11.5	11.62	11.5	3.7	6.5	48	35
50 × 40	49	38	292	295	292	94	165	22	16
2 1/2 × 2	2.44	1.94	13	13.12	13	3.7	7.5	64	55
65 × 50	62	49	330	333	330	95	190	29	25
3 × 2	2.94	1.94	14	14.12	14	3.7	8.3	81	55
80 × 50	74	49	356	359	356	95	210	37	25
4 × 3	3.94	2.94	17	17.12	17	5.4	10.8	163	110
100 × 80	100	74	432	435	432	138	275	74	50
6 × 4	5.94	3.94	22	22.12	22	7	14	330	187
150 × 100	150	100	559	562	559	178	355	150	85
8 × 6	7.94	5.94	26	26.12	26	8.3	16.5	638	528
200 × 150	201	150	660	663	660	210	420	290	240
10 × 8	9.94	7.94	31	31.12	31	9.6	20	1067	880
250 × 200	252	201	787	790	787	245	510	485	400
12 × 10	11.94	9.94	33	33.12	33	11.4	22	1463	1100
300 × 250	303	252	838	841	838	290	560	665	500
14 × 10	13.19	9.94	35	35.12	35	11.4	23.8	2266	2002
350 × 250	334	252	889	892	889	290	605	1030	910
16 × 12	15.19	11.94	39	39.12	39	14.1	27	2530	2200
400 × 300	385	303	991	994	991	360	685	1150	1000
18 × 14	17.19	13.19	43	43.12	43	15.6	29.3	3630	2860
450 × 350	436	334	1092	1095	1092	395	745	1650	1300
20 × 16	19.19	15.19	47	47.25	47	16.7	32	5632	4620
500 × 400	487	385	1194	1200	1194	425	815	2560	2100
24 × 20	23.19	19.19	55	55.38	55	22.6	37	6710	5720
600 × 500	589	487	1397	1407	1397	575	940	3050	2600
30 × 24	28.94	23.19	65	65.5	65	23.8	42.9	10780	9240
750 × 600	735	589	1651	1664	1651	605	1090	4900	4200
36 × 30	34.44	28.94	82	82.62	82	35	60.9	20020	17600
900 × 750	874	735	2083	2099	2083	890	1546	9100	8000

# TRUNNION BALL VALVE

## Dimension & Weights



### ASME CLASS 900 FULL BORE

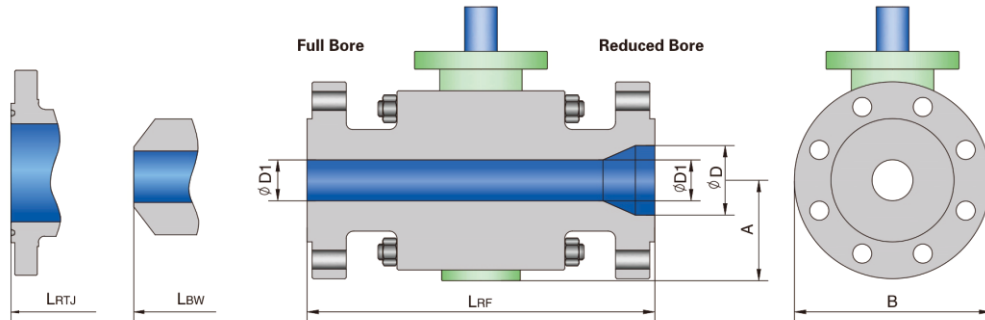
Size in/mm	ØD	ØD1	L			A	B	Weight	
			RF	RTJ	BW			RF/RTJ(Lb/kg)	BW(Lb/kg)
2	1.94	1.94	14.5	14.62	14.5	4.3	8.5	128	75
50	49	49	368	371	368	108	215	58	34
2 1/2	2.44	2.44	16.5	16.62	16.5	4.7	9.4	165	123
65	62	62	419	422	419	120	240	75	56
3	2.94	2.94	15	15.12	15	4.8	9.6	183	152
80	74	74	381	384	381	123	245	83	69
4	3.94	3.94	18	18.12	18	5.7	11.4	356	319
100	100	100	457	460	457	145	290	162	145
6	5.94	5.94	24	24.12	24	7.3	15	715	517
150	150	150	610	613	610	185	380	325	235
8	7.94	7.94	29	29.12	29	7.7	18.5	1047	772
200	201	201	737	740	737	295	470	476	351
10	9.94	9.94	33	33.12	33	13.8	21.5	1969	1650
250	252	252	838	841	838	350	545	895	750
12	11.94	11.94	38	38.12	38	14.6	24	2519	2189
300	303	303	965	968	965	370	610	1145	995
14	12.69	12.69	40.5	40.88	40.5	16.9	26.2	3278	2519
350	322	322	1029	1039	1029	430	665	1490	1145
16	14.69	14.69	44.5	44.88	44.5	17.7	29.5	4092	3190
400	373	373	1130	1140	1130	450	750	1860	1450
18	16.69	16.69	48	48.5	48	19.3	32.3	5841	4554
450	423	423	1219	1232	1219	490	820	2655	2070
20	18.56	18.56	52	52.5	52	23.2	36.5	6952	5357
500	471	471	1321	1334	1321	590	928	3160	2435
24	22.44	22.44	61	61.75	61	24.8	41.7	11220	8360
600	570	570	1549	1568	1549	630	1060	5100	3800
26	24.31	24.31	65	65.87	65	26.8	45.7	14850	11968
650	617	617	1651	1672	1651	680	1160	6750	5440
30	28.06	28.06	74	74.87	74	31.5	53.5	25300	21340
750	712	712	1880	1901	1880	800	1360	11500	9700

### ASME CLASS 900 REDUCED BORE

Size in/mm	ØD	ØD1	L			A	B	Weight	
			RF	RTJ	BW			RF/RTJ(Lb/kg)	BW(Lb/kg)
2x 1 1/2	1.94	1.5	14.5	14.62	14.5	4.3	8.5	99	55
50x40	49	38	368	371	368	108	215	45	25
2 1/2x2	2.44	1.94	16.5	16.62	16.5	4.3	9.6	123	81
65x50	62	49	419	422	419	108	245	56	37
3x2	2.94	1.94	15	15.12	15	4.3	9.4	143	110
80x50	74	49	381	384	381	108	240	65	50
4x3	3.94	2.94	18	18.12	18	5.7	11.4	238	172
100x80	100	74	457	460	457	145	290	108	78
6x4	5.94	3.94	24	24.12	24	7.5	15	462	330
150x100	150	100	610	613	610	190	380	210	150
8x6	7.94	5.94	29	29.12	29	9.3	18.5	715	528
200x150	201	150	737	740	737	235	470	325	240
10x8	9.94	7.94	33	33.12	33	11.3	21.5	902	638
250x200	252	201	838	841	838	295	545	410	290
12x10	11.94	9.94	38	38.12	38	13	24	2420	1936
300x250	303	252	965	968	965	330	610	1100	880
14x10	12.69	9.94	40.5	40.88	40.5	13	25.2	3190	2816
350x250	322	252	1029	1039	1029	330	640	1450	1280
16x12	14.69	11.94	44.5	44.88	44.5	14.6	27.7	3608	2970
400x300	373	303	1130	1140	1130	370	705	1640	1350
18x14	16.69	12.69	48	48.5	48	16.9	30.9	5280	4290
450x350	423	322	1219	1232	1219	430	785	2400	1950
20x16	18.56	14.69	52	52.5	52	17.7	33.7	6292	4730
500x400	471	373	1321	1334	1321	450	855	2860	2150
24x20	22.44	18.56	61	61.75	61	23.2	40.9	9240	6336
600x500	570	471	1549	1568	1549	590	1040	4200	2880
30x24	28.06	22.44	74	74.87	74	24.8	48.4	15620	12760
750x600	712	570	1880	1901	1880	630	1230	7100	5800

# TRUNNION BALL VALVE

## Dimension & Weights



### ASME CLASS 1500 FULL BORE

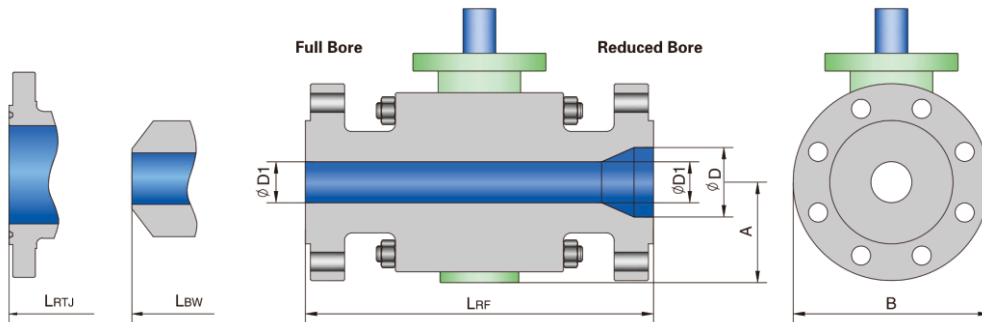
Size in/mm	ØD	ØD1	L			A	B	Weight	
			RF	RTJ	BW			RF/RTJ(lb/kg)	BW(lb/kg)
2	1.94	1.94	14.5	14.62	14.5	4.3	8.5	128	75
50	49	49	368	371	368	108	215	58	34
2 1/2	2.44	2.44	16.5	16.62	16.5	4.8	9.6	174	136
65	62	62	419	422	419	123	245	79	62
3	2.94	2.94	18.5	18.62	18.5	5.5	10.4	216	154
80	74	74	470	473	470	140	265	98	70
4	3.94	3.94	21.5	21.62	21.5	6.5	12.2	365	317
100	100	100	546	549	546	165	310	166	144
6	5.69	5.69	27.75	28	27.75	9.6	16.3	1030	834
150	144	144	705	711	705	219	415	468	379
8	7.56	7.56	32.75	33.13	32.75	11.6	19.1	1478	964
200	192	192	832	842	832	295	485	672	438
10	9.44	9.44	39	39.38	39	14.2	23.6	2222	1716
250	239	239	991	1001	991	360	600	1010	780
12	11.31	11.31	44.5	45.12	44.5	15.7	27.2	3388	2420
300	287	287	1130	1146	1130	400	692	1540	1100
14	12.44	12.44	49.5	50.25	49.5	19.3	30.7	6820	5280
350	315	315	1257	1276	1257	490	780	3100	2400
16	14.19	14.19	54.5	55.38	54.5	24.8	35.5	9900	6072
400	360	360	1384	1406	1384	629	900	4500	2760
18	16	16	60.5	61.38	60.5	25.2	39.4	13420	10670
450	406	406	1537	1559	1537	640	1000	6100	4850
20	17.88	17.88	65.5	66.38	65.5	25.6	41.9	16720	12540
500	454	454	1664	1686	1664	650	1065	7600	5700
24	21.5	21.5	76.5	77.62	76.5	29.9	50.2	21120	15840
600	546	546	1943	1971	1943	760	1275	9600	7200

### ASME CLASS 1500 REDUCED BORE

Size in/mm	ØD	ØD1	L			A	B	Weight	
			RF	RTJ	BW			RF/RTJ(lb/kg)	BW(lb/kg)
2 x 1 1/2	1.94	1.5	14.5	14.62	14.5	4.3	8.5	95	48
50 x 40	49	38	368	371	368	108	215	43	22
2 1/2 x 2	2.44	1.94	16.5	16.62	16.5	4.3	9.6	141	92
65 x 50	62	49	419	422	419	108	245	64	42
3 x 2	2.94	1.94	18.5	18.62	18.5	4.3	10.6	165	106
80 x 50	74	49	470	473	470	108	265	75	48
4 x 3	3.94	2.94	21.5	21.62	21.5	6.1	12.2	286	167
100 x 80	100	74	546	549	546	155	310	130	76
6 x 4	5.69	3.94	27.75	28	27.75	7.8	15.6	605	374
150 x 100	144	100	705	711	705	198	395	275	170
8 x 6	7.56	5.69	32.75	33.13	32.75	9.6	19.1	1320	924
200 x 150	192	144	832	842	832	243	485	600	420
10 x 8	9.44	7.56	39	39.38	39	11.6	23	1848	1078
250 x 200	239	192	991	1001	991	295	585	870	490
12 x 10	11.31	9.44	44.5	45.12	44.5	14.2	26.6	2750	1760
300 x 250	287	239	1130	1146	1130	360	675	1250	800
14 x 10	12.44	9.44	49.5	50.25	49.5	14.2	29.5	3630	2970
350 x 250	315	239	1257	1276	1257	360	750	1650	1350
16 x 12	14.19	11.31	54.5	55.38	54.5	15.7	32.5	4517	3520
400 x 300	360	287	1384	1406	1384	400	825	2053	1600
18 x 14	16	12.44	60.5	61.38	60.5	18.7	36	10956	8690
450 x 350	406	315	1537	1559	1537	475	915	4980	3950
20 x 16	17.88	14.19	65.5	66.38	65.5	24.8	38.8	12188	9350
500 x 400	454	360	1664	1686	1664	629	985	5540	4250
24 x 20	21.5	17.88	76.5	77.62	76.5	25.6	46.1	24200	18920
600 x 500	546	454	1943	1971	1943	650	1170	11000	8600

# TRUNNION BALL VALVE

## Dimension & Weights



### ASME CLASS 2500 FULL BORE

Size in/mm	øD	øD1	L			A	B	Weight	
			RF	RTJ	BW			RF/RTJ(Lb/kg)	BW(Lb/kg)
2	1.69	1.69	17.75	17.87	17.75	5.5	9.3	260	154
50	42	42	451	454	451	139	235	118	70
2 1/2	2.06	2.06	20	20.25	20	5.2	10.4	378	275
65	52	52	508	514	508	133	265	172	125
3	2.44	2.44	22.75	23	22.75	6.3	12	484	363
80	62	62	578	584	578	160	305	220	165
4	3.44	3.44	26.5	26.88	26.5	7.4	14	803	715
100	87	87	673	683	673	188	355	365	325
6	5.19	5.19	36	36.5	36	10.8	19.1	1650	1375
150	131	131	914	927	914	275	485	750	625
8	7.06	7.06	40.25	40.87	40.25	15	24.2	4620	3608
200	179	179	1022	1038	1022	380	615	2100	1640
10	8.81	8.81	50	50.88	50	18.9	31.9	6600	5588
250	223	223	1270	1292	1270	480	810	3000	2540
12	10.44	10.44	56	56.88	56	19.7	33.9	9240	7700
300	265	265	1422	1444	1422	500	860	4200	3500

### ASME CLASS 2500 REDUCED BORE

Size in/mm	øD	øD1	L			A	B	Weight	
			RF	RTJ	BW			RF/RTJ(Lb/kg)	BW(Lb/kg)
2 x 1 1/2	1.69	1.5	17.75	17.87	17.75	4.6	9.3	189	97
50 x 40	42	38	451	454	451	118	235	86	44
2 1/2 x 2	2.06	1.69	20	20.25	20	5.5	10.4	297	242
65 x 50	52	42	508	514	508	139	265	135	110
3 x 2	2.44	1.69	22.75	23	22.75	5.5	12	341	220
80 x 50	62	42	578	584	578	139	305	155	100
4 x 3	3.44	2.44	26.5	26.88	26.5	7	14	627	374
100 x 80	87	62	673	683	673	178	355	285	170
6 x 4	5.19	3.44	36	36.5	36	9.6	19.1	1254	737
150 x 100	131	87	914	927	914	243	485	570	355
8 x 6	7.06	5.19	40.25	40.87	40.25	10.8	21.7	2332	1914
200 x 150	179	131	1022	1038	1022	275	550	1060	870
10 x 8	8.81	7.06	50	50.88	50	15	26.6	5720	4862
250 x 200	223	179	1270	1292	1270	380	675	2600	2210
12 x 10	10.44	8.81	56	56.88	56	18.9	31.9	8074	6864
300 x 250	265	223	1422	1444	1422	480	810	3670	3120