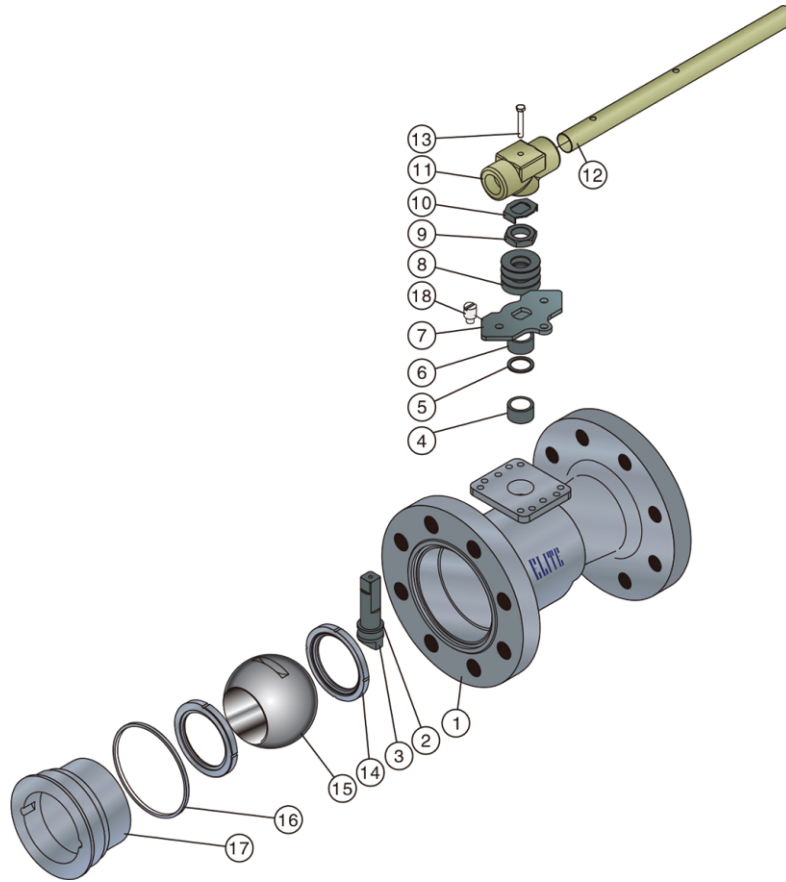




MODEL NO.:EFC-1/2BV1R1
 Size:1/2"~6"(DN15~DN150)
 Class:CL150~CL900

FLOATING TYPE (1PC)



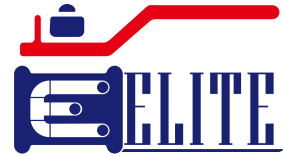
Material

| NO. | PART NAME | STANDARD MATERIALS | | | |
|-----|-------------------|-------------------------------|-------------|----------------------|------------------|
| | | CARBON STEEL | ALLOY STEEL | STAINLESS STEEL | DUPLEX STEEL |
| 1 | BODY | A216 WCB | A217 WC6 | A351 CF8M | A995 4A |
| 2 | THRUST BEARING | PTFE/RPTFE | | | |
| 3 | STEM | A182 F6a/F304/F316 | | A182 F316/17-4PH/F51 | A182 F51/F53/F55 |
| 4 | STEM PACKING | PTFE/FLEXIBLE GRAPHITE | | | |
| 5 | WASHER | STAINLESS STEEL | | | |
| 6 | GLAND FLANGE | SS410/SS304/SS316 | | SS316 | |
| 7 | STOP PLATE | Q235+Zn | | | |
| 8 | BELLEVILLE SPRING | 17-7PH/INCONEL 625 | | | |
| 9 | GLAND NUT | A194 2H | | A194 8/8M | |
| 10 | LOCK TAB | STAINLESS STEEL | | | |
| 11 | WRENCH BLOCK | ASTM A216 WCB | | | |
| 12 | HANDLE PIPE | CARBON STEEL+Zn | | | |
| 13 | HANDLE BOLT | A193 B7 | | A193 B8/B8M | |
| 14 | SEAT | PTFE/RPTFE/DEVLON/DERLIN/PEEK | | | |
| 15 | BALL | A105+ENP/A182 F6a/F304/F316 | | A182 F316/F51 | A182 F51/F53/F55 |
| 16 | BODY GASKET | PTFE/ SS+PTFE/SS+GRAPHITE | | | |
| 17 | END CAP | A105 | A182 F11 | A182 F316 | A182 F51 |
| 18 | STOP PIN | 300 SERIES STAINLESS STEEL | | | |

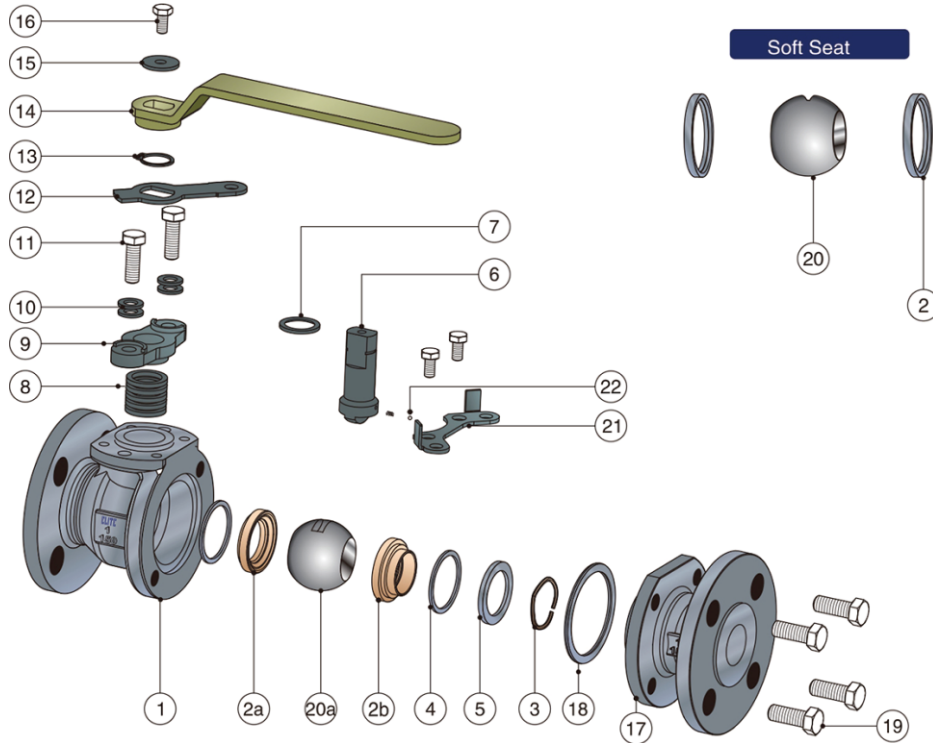
The material is according to ASTM Standard.

Model Denote:EFC=Elite Flow Control | 1/2=Size in inch | BV=Ball Valve | 1=150Lb | R=RF End | 1=Floating, Split Body.

MODEL NO.:EFC-1/2BV1R1
 Size:1/2" ~ 6" (DN15 ~ DN150)
 Class:CL150 ~ CL2500



FLOATING TYPE (2PC)



Material

| NO. | PART NAME | STANDARD MATERIALS | | | |
|-----|--------------------|-------------------------------|-------------------|----------------------|-------------------|
| | | CARBON STEEL | ALLOY STEEL | STAINLESS STEEL | DUPLEX STEEL |
| 1 | BODY | A105/A216 WCB | A182 F11/A217 WC6 | A182 F316/A351 CF8M | A182 F51/A995 4A |
| 2 | SEAT RING | PTFE/RPTFE/DEVLON/DERLIN/PEEK | | | |
| 2a | SEAT RING | A182 F304+TCC/Ni55 | | A182 F316+TCC/Ni55 | A182 F51+TCC/Ni55 |
| 2b | SEAT RING | A182 F304+TCC/Ni55 | | A182 F316+TCC/Ni55 | A182 F51+TCC/Ni55 |
| 3 | SEAT SPRING | 17-7PH/INCONELX-750 | | | |
| 4 | SEAT BACKUP SEAL | GRAPHITE | | | |
| 5 | RETAINER | SS304 | | SS316 | A182 F51/F53/F55 |
| 6 | STEM | A182 F6a/F304/F316 | | A182 F316/17-4PH/F51 | A182 F51/F53/F55 |
| 7 | THRUST BEARING | PTFE/RPTFE | | | |
| 8 | STEM PACKING | PTFE/FLEXIBLE GRAPHITE | | | |
| 9 | GLAND FLANGE | A216 WCB | | A351 CF8/A351 CF8M | |
| 10 | BELLEVILLE SPRING | 17-7PH/INCONEL 625 | | | |
| 11 | GLAND BOLT | A193 B7 | A193 B16 | A193 B8/A193 B8M | |
| 12 | STOPPER | Q235+Zn | | | |
| 13 | SNAP RING | AISI 1065 | | | |
| 14 | LEVER | A216 WCB | | | |
| 15 | LEVER WASHER | SS304/SS316 | | | |
| 16 | LEVER SET BOLT | A193 B7 | A193 B16 | A193 B8/A193 B8M | |
| 17 | CLOSURE | A105/A216 WCB | A182 F11/A217 WC6 | A182 F316/A351 CF8M | A182 F51/A995 4A |
| 18 | CLOSURE GASKET | PTFE/ SS+PTFE/SS+GRAPHITE | | | |
| 19 | CLOSURE BOLT | A193 B7 | A193 B16 | A193 B8/A193 B8M | |
| 20 | BALL | A105+ENP/A182 F6a/F304/F316 | | A182 F316/F51 | A182 F51/F53/F55 |
| 20a | BALL | A182 F304+TCC/Ni60 | | A182 F316+TCC/Ni60 | A182 F51+TCC/Ni60 |
| 21 | LOCKING PLATE | Q235+Zn | | | |
| 22 | ANTI STATIC DEVICE | SS316 | | | |

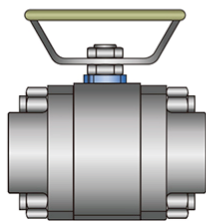
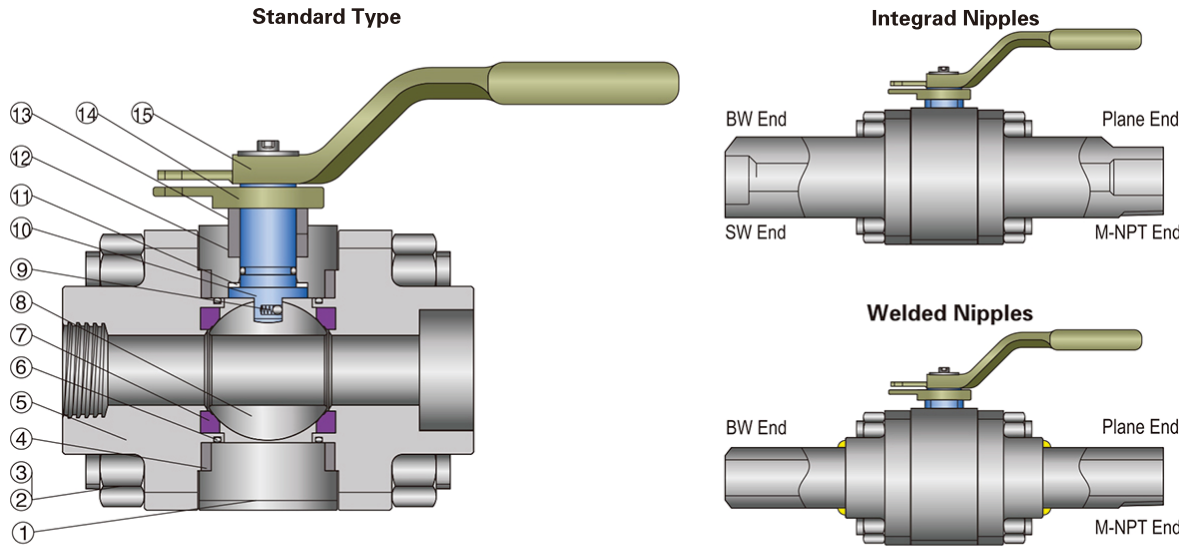
The material is according to ASTM Standard.

Model Denote:EFC=Elite Flow Control | 1/2=Size in inch | BV=Ball Valve | 1=150Lb | R=RF End | 1=Floating, Split Body.

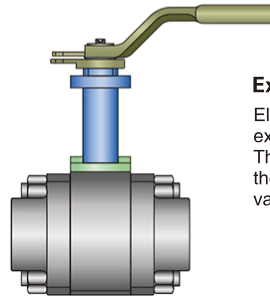


MODEL NO.:EFC-1/2BV8S1
Size:1/2" ~ 2" (DN15 ~ DN50)
Class:CL150 ~ CL2500

FLOATING TYPE (3PC)



Safety Oval Handle
 Safety Oval Handle are used where the standard lever can be accidentally locked while opening or closing



Extended Bonnet For Insulation
 Elite ball valve can be supplied with an extended bonnet . The insulation can be installed all around the valve without blocking access to the valve or other operator

Material

| NO. | PART NAME | STANDARD MATERIALS | | | |
|-----|-------------------|---------------------------------|-------------|----------------------|------------------|
| | | CARBON STEEL | ALLOY STEEL | STAINLESS STEEL | DUPLEX STEEL |
| 1 | BODY | A105 | A182 F11 | A182 F316 | A182 F51 |
| 2 | BOLT | A193 B7 | A193 B16 | A193 B8/A193 B8M | |
| 3 | NUT | A194 2H | A194 4 | A194 8/A194 8M | |
| 4 | GASKET | SS+GRAPHITE/SS+PTFE | | | |
| 5 | BONNET | A105 | A182 F11 | A182 F316 | A182 F51 |
| 6 | O-RING | NBR/HNBR/VITON | | | |
| 7 | SEAT RING | PTFE/RPTFE/DEVLON/PPL/PEEK | | | |
| 8 | BALL | A105+ENP/A182 F6a/F304/F316/F51 | | A182 F316/F51 | A182 F51/F53/F55 |
| 9 | ANTISTATIC SPRING | SS316 | | | |
| 10 | STEM | A182 F6a/F304/F316/17-4PH | | A182 F316/17-4PH/F51 | A182 F51/F53/F55 |
| 11 | THRUST WASHER | PTFE/RPTFE | | | |
| 12 | PACKING | GRAPHITE/PTFE | | | |
| 13 | GLAND | A276 410/304/316 | | A276 316 | |
| 14 | GLAND FLANGE | A216 WCB/A351 CF8 | | A351 CF8 | |
| 15 | THE HANDLE | A216 WCB/1025+Zn | | | |

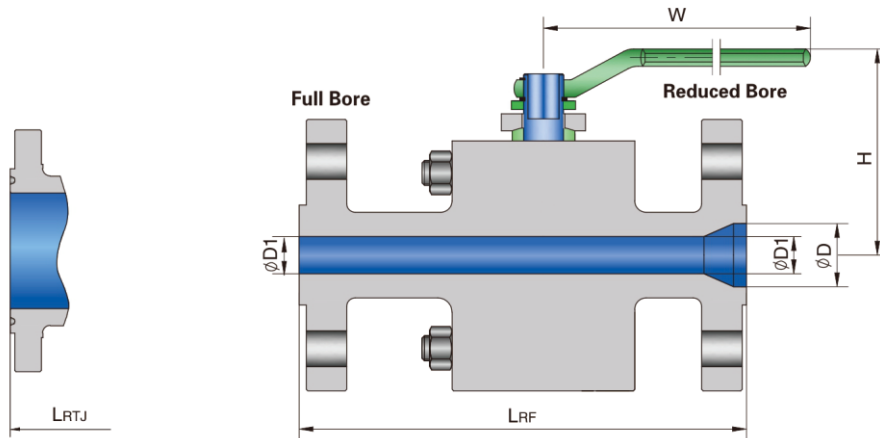
NOTE: Metal-to-metal seated ball valve designs are available upon request.

The material is according to ASTM Standard.

Model Denote: EFC=Elite Flow Control | 1/2=Size in inch | BV=Ball Valve | 8=800Lb | S=SW End | 1=Floating, Split Body.

FLOATING BALL VALVE

Dimension & Weights

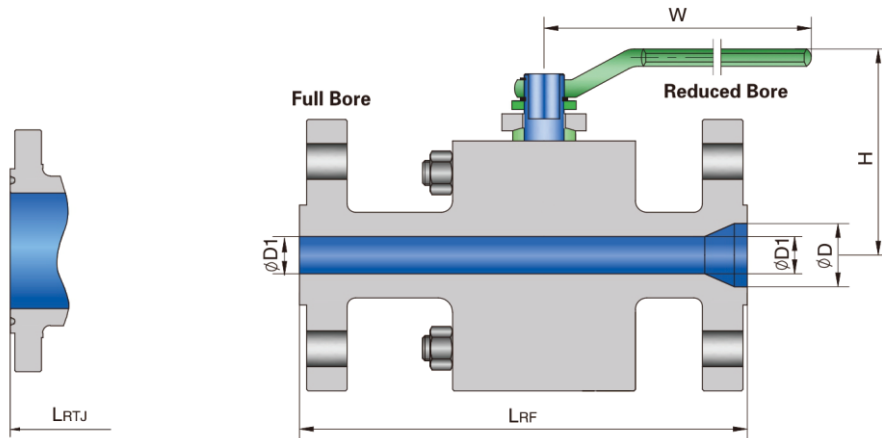


Full Bore

| Nominal Pressure | Size | | ϕD | $\phi D1$ | L | | W | H | Weight | |
|------------------|--------|-----|----------|-----------|-----|-----|-----|-----|--------|------|
| | NPS | DN | | | RF | RTJ | | | Lb | Kg |
| ASME 150 | 1/2" | 15 | 13 | 13 | 108 | - | 160 | 76 | 4.4 | 2 |
| | 3/4" | 20 | 19 | 19 | 117 | - | 200 | 108 | 7.0 | 3.2 |
| | 1" | 25 | 25 | 25 | 127 | 140 | 200 | 111 | 10.1 | 4.6 |
| | 1 1/2" | 40 | 38 | 38 | 165 | 178 | 260 | 130 | 15.9 | 7.2 |
| | 2" | 50 | 49 | 49 | 178 | 191 | 260 | 160 | 24.2 | 11 |
| | 3" | 80 | 74 | 74 | 203 | 216 | 400 | 184 | 50.6 | 23 |
| | 4" | 100 | 100 | 100 | 229 | 242 | 700 | 203 | 83.6 | 38 |
| ASME 300 | 1/2" | 15 | 13 | 13 | 140 | 151 | 160 | 76 | 5.5 | 2.5 |
| | 3/4" | 20 | 19 | 19 | 152 | 165 | 200 | 108 | 8.8 | 4.0 |
| | 1" | 25 | 25 | 25 | 165 | 178 | 200 | 111 | 13.2 | 6.0 |
| | 1 1/2" | 40 | 38 | 38 | 190 | 203 | 260 | 130 | 25.3 | 11.5 |
| | 2" | 50 | 49 | 49 | 216 | 232 | 260 | 160 | 31.9 | 14.5 |
| | 3" | 80 | 74 | 74 | 282 | 298 | 400 | 184 | 74.8 | 34 |
| | 4" | 100 | 100 | 100 | 305 | 321 | 700 | 203 | 132 | 60 |

FLOATING BALL VALVE

Dimension & Weights

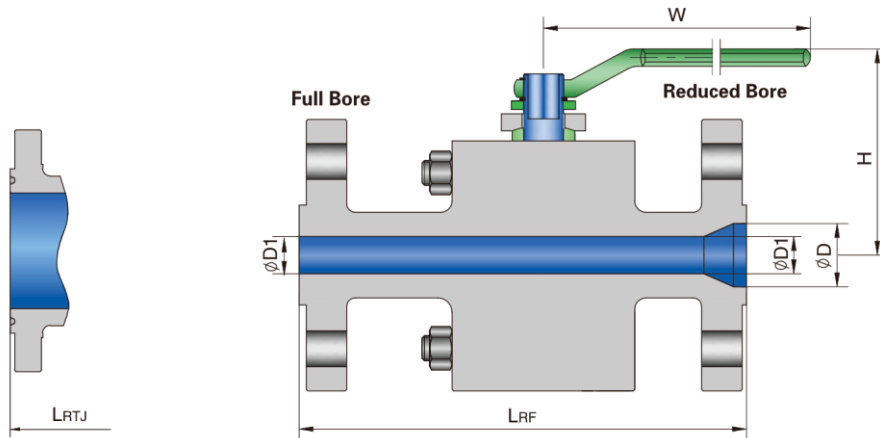


Full Bore

| Nominal Pressure | Size | | ϕD | $\phi D1$ | L | | W | H | Weight | |
|------------------|--------|----|----------|-----------|-----|-----|-----|-----|--------|------|
| | NPS | DN | | | RF | RTJ | | | Lb | Kg |
| ASME 600 | 1/2" | 15 | 13 | 13 | 165 | 163 | 165 | 80 | 9.9 | 4.5 |
| | 3/4" | 20 | 19 | 19 | 190 | 190 | 200 | 105 | 13.2 | 6.0 |
| | 1" | 25 | 25 | 25 | 216 | 216 | 200 | 110 | 17.6 | 8.0 |
| | 1 1/2" | 40 | 38 | 38 | 241 | 241 | 260 | 130 | 35.3 | 16 |
| | 2" | 50 | 49 | 49 | 292 | 295 | 360 | 140 | 48.5 | 22 |
| | 3" | 80 | 74 | 74 | 356 | 359 | 450 | 185 | 99.2 | 45 |
| ASME 900/1500 | 1/2" | 15 | 13 | 13 | 216 | 216 | 200 | 100 | 15.6 | 7.1 |
| | 3/4" | 20 | 19 | 19 | 229 | 229 | 200 | 110 | 23.1 | 10.5 |
| | 1" | 25 | 25 | 25 | 254 | 254 | 260 | 125 | 38.6 | 17.5 |
| | 1 1/2" | 40 | 38 | 38 | 305 | 305 | 360 | 158 | 63.4 | 29 |
| | 2" | 50 | 49 | 49 | 368 | 371 | 360 | 165 | 83.8 | 38 |
| ASME 2500 | 1/2" | 15 | 13 | 13 | 264 | 264 | 200 | 100 | 22 | 10 |
| | 3/4" | 20 | 19 | 19 | 273 | 273 | 200 | 110 | 30.9 | 14 |
| | 1" | 25 | 25 | 25 | 308 | 308 | 260 | 125 | 44 | 20 |

FLOATING BALL VALVE

Dimension & Weights



Reduced Bore

| Nominal Pressure | Size | | ø D | ø D1 | L | | W | H | Weight | |
|------------------|--------|-----|-----|------|-----|-----|-----|-----|--------|-----|
| | NPS | DN | | | RF | RTJ | | | Lb | Kg |
| ASME 150 | 1/2" | 15 | 13 | 10 | 108 | - | 160 | 76 | 4.0 | 1.8 |
| | 3/4" | 20 | 19 | 13 | 117 | - | 160 | 76 | 5.5 | 2.5 |
| | 1" | 25 | 25 | 19 | 127 | 140 | 200 | 108 | 7.9 | 3.6 |
| | 1 1/2" | 40 | 38 | 32 | 165 | 178 | 200 | 111 | 12.1 | 5.5 |
| | 2" | 50 | 49 | 38 | 178 | 191 | 260 | 130 | 18.7 | 8.5 |
| | 3" | 80 | 74 | 49 | 203 | 216 | 260 | 160 | 41.8 | 19 |
| | 4" | 100 | 100 | 74 | 229 | 242 | 400 | 184 | 63.8 | 29 |
| ASME 300 | 1/2" | 15 | 13 | 10 | 140 | 151 | 160 | 76 | 4.8 | 2.2 |
| | 3/4" | 20 | 19 | 13 | 152 | 165 | 160 | 76 | 7.3 | 3.3 |
| | 1" | 25 | 25 | 19 | 165 | 178 | 200 | 108 | 11 | 5.0 |
| | 1 1/2" | 32 | 38 | 32 | 190 | 203 | 200 | 111 | 20.3 | 9.2 |
| | 2" | 50 | 49 | 38 | 216 | 232 | 260 | 130 | 28.6 | 13 |
| | 3" | 80 | 74 | 49 | 282 | 298 | 260 | 160 | 59.4 | 27 |
| | 4" | 100 | 100 | 74 | 305 | 321 | 400 | 184 | 99 | 45 |
| | 6" | 150 | 150 | 100 | 403 | 419 | 700 | 203 | 176 | 80 |