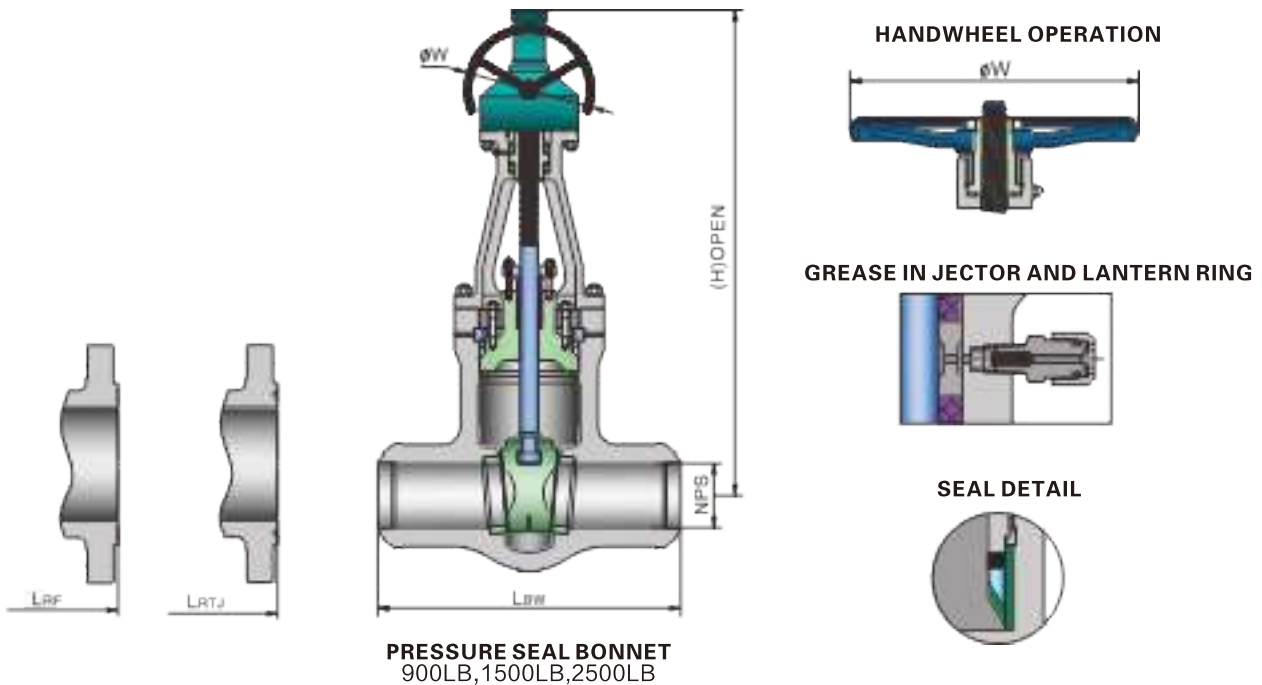


MODEL NO.:EFC-2GV9
Size:2" ~ 24"(DN50 ~ DN600)



CASTING STEEL PSB GATE VALVE



PRESSURE SEAL BONNET
900LB,1500LB,2500LB

Material List

PART	STANDARD MATERIALS					
BODY	ASTM A216 WCB	ASTM A352 LCB	ASTM A351 CF8(CF3)	ASTM A351 CF8M(CF3M)	ASTM A995 4A	ASTM A217 WC6
WEDGE	ASTM A216 WCB+STL	ASTM A352 LCB+STL	ASTM A351 CF8(CF3)+STL	ASTM A351 CF8M(CF3M)+STL	ASTM A995 4A+STL	ASTM A217 WC6+STL
SEAT	ASTM A105+STL	ASTM A352 LCB+STL	ASTM A351 CF8(CF3)+STL	ASTM A351 CF8M(CF3M)+STL	ASTM A995 4A+STL	ASTM A217 WC6+STL
STEM	ASTM A182 F6a	ASTM A182 F6a	ASTM A182 F304(L)	ASTM A182 F316(L)	ASTM A182 F51	ASTM A182 F304
SEAL RING	SS+GRAPHITE/SS304/SS316					
STUFFING BOX	ASTM A105+STL	ASTM A350 LF2+STL	ASTM A182 F304(L)	ASTM A182 F316(L)	ASTM A182 F51	ASTM A182 F304
BONNET	ASTM A216 WCB	ASTM A352 LCB	ASTM A351 CF8(CF3)	ASTM A351 CF8M(CF3M)	ASTM A995 4A	ASTM A217 WC6
PACKING	FLEXIBLE GRAPHITE					
GLAND	ASTM A276 410	ASTM A276 410	ASTM A276 304	ASTM A276 316	ASTM A276 316	ASTM A276 410
GLAND FLANGE	ASTM A105	ASTM A105	ASTM A182 F304	ASTM A182 F304	ASTM A182 F316	ASTM A105
EYEBOL T	ASTM A193 B7	ASTM A320 L7	ASTM A193 B8(M)	ASTM A193 B8(M)	ASTM A193 B8M	ASTM A193 B16
NUT	ASTM A194 2H	ASTM A194 7	ASTM A194 8(M)	ASTM A194 8(M)	ASTM A194 8M	ASTM A194 4
STEM NUT	BRONZE	BRONZE	BRONZE	BRONZE	BRONZE	BRONZE

The material is according to ASTM Standard.

Model Denote:EFC=Elite Flow Control | 2=Size in inch | GV=GATE Valve | 9=900Lb



MODEL NO.:EFC-2GV9
Size:2"~24"(DN50~DN600)

CASTING STEEL PSB GATE VALVE

Pressure Seal Bonnet ASME CLASS 900 Dimensions

NPS DN	in	2	2 _{1/2}	3	4	6	8*	10*	12*	14*	16*	18*	20*	24*
	mm	47	57	73	98	146	190	238	282	311	356	400	445	534
L _{RF}	in	8.5	10.0	12.0	14.0	20.0	26.0	31.0	36.0	39.0	43.0	48.0	52.0	61.0
	mm	216	254	305	356	508	660	787	914	991	1092	1219	1321	1549
L _{BW}	in	14.5	16.5	15.0	18.0	24.0	29.0	33.0	38.0	40.5	44.5	48.0	52.0	61.0
	mm	368	419	381	457	610	737	838	965	1029	1130	1219	1321	1549
L _{RTJ}	in	14.62	16.62	15.12	18.12	24.12	29.12	33.12	38.12	40.88	44.88	48.5	52.5	61.75
	mm	371	422	384	460	613	740	841	968	1039	1140	1232	1334	1568
H (Open)	in	23	30	30	34	40	50	61	74	84	93	106	118	138
	mm	594	756	756	864	1013	1276	1543	1850	2126	2361	2650	2950	3442
øW	in	10	10	12	14	20	24	24	24	24	24	24	24	24
	mm	250	250	300	350	500	600	600	600	600	600	600	600	600
WT (Kg)	RF/RTJ	63	99	107	165	303	732	1105	1562	1895	2665	3510	4650	6955
	BW	42	67	70	115	213	577	854	1254	1584	2184	2865	3876	5660

Pressure Seal Bonnet ASME CLASS 1500 Dimensions

NPS DN	in	2	2 _{1/2}	3	4	6	8*	10*	12*	14*	16*	18*	20*	24*
	mm	47	57	70	92	136	178	222	263	289	330	371	416	498
L _{RF}	in	8.5	10.0	12.0	16.0	22.0	28.0	34.0	34.0	42.0	47.0	53.0	58.0	76.5
	mm	216	254	305	406	559	711	864	864	1067	1194	1346	1473	1943
L _{BW}	in	14.5	16.5	18.5	21.5	27.75	32.75	39	39	49.5	54.5	60.5	65.5	76.5
	mm	368	419	470	546	705	838	991	991	1257	1384	1537	1664	1943
L _{RTJ}	in	14.62	16.62	18.62	21.62	28	33.13	39.38	39.38	50.25	55.38	61.38	66.38	77.62
	mm	371	422	473	549	711	842	1001	1001	1276	1406	1559	1686	1971
H (Open)	in	23	30	30	34	43	57	60.3	60.3	91	96	121	130	156
	mm	594	756	756	864	1044	1400	1530	1530	2316	2431	3023	3302	3966
øW	in	10	12	14	20	24	24	24	24	24	24	24	24	24
	mm	250	300	350	500	600	600	600	600	600	600	600	600	600
WT (Kg)	RF/RTJ	63	99	126	218	504	1012	1552	1552	2912	3950	6150	7550	10950
	BW	42	67	87	150	367	755	1132	1132	2015	3000	4810	5950	8535

Pressure Seal Bonnet ASME CLASS 2500 Dimensions

NPS DN	in	2	2 _{1/2}	3	4	6	8*	10*	12*
	mm	38	47	57	73	111	146	184	219
L _{RF}	in	11.0	13.0	14.5	18.0	24.0	30.0	36.0	41.0
	mm	279	330	368	457	610	762	914	1041
L _{BW}	in	17.75	20	22.75	26.5	36	40.25	50	56
	mm	451	508	578	673	914	1022	1270	1422
L _{RTJ}	in	17.87	20.25	23	26.88	36.5	40.87	50.88	56.88
	mm	454	514	584	683	927	1038	1292	1444
H (Open)	in	23	30	30	34	46	59	74	79
	mm	594	756	756	870	1179	1489	1848	1973
øW	in	14	18	18	20	24	24	24	24
	mm	350	450	450	500	600	600	600	600
WT (Kg)	RF/RTJ	89	142	173	362	882	1452	2685	3312
	BW	53	95	100	210	501	890	1850	2550

*Manual gear operator is recommended.
 The material is according to ASTM Standard.
 Model Denote: EFC=Elite Flow Control | 2=Size in inch | GV=GATE Valve | 9=900Lb