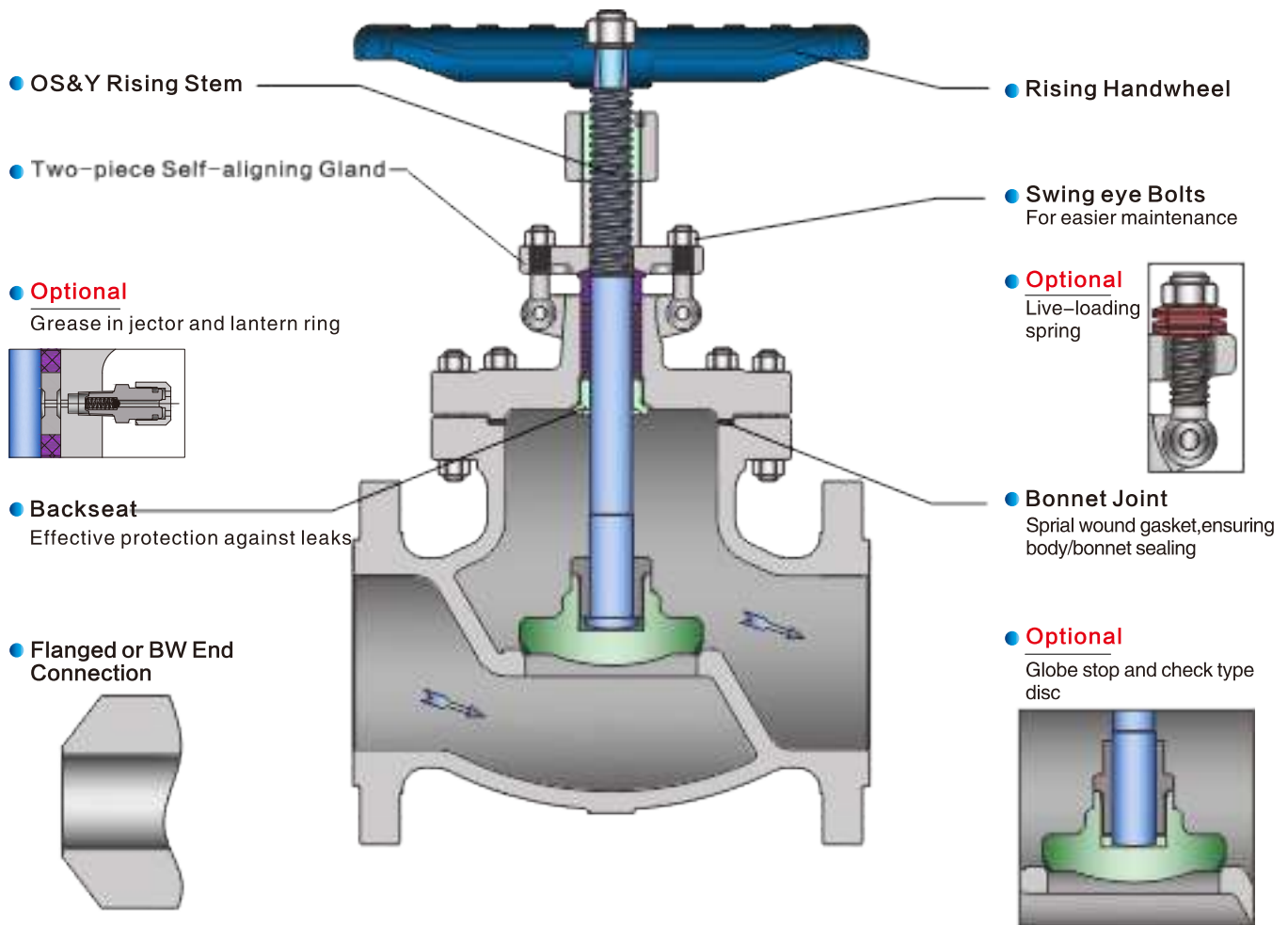


MODEL NO.:EFC-02GE1
 Size:2" ~ 16"(DN50 ~ DN400)



CASTING GLOBE VALVE

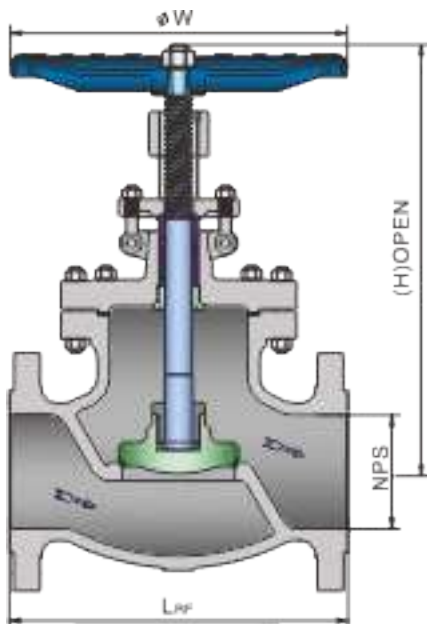


SPECIFICATION

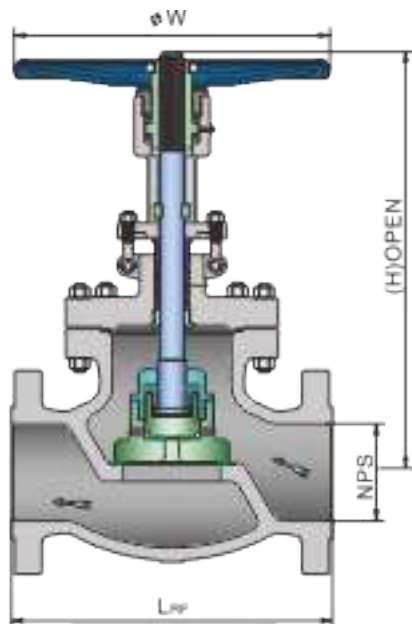
Design & MFG.	API 623,BS 1873	Press-Temp Rat.	ASME B16.34
Face To Face(Flange &Butt Weld)	ASME B16.10	Flange Design	ASME B16.5
Butt Weld Design	ASME B16.25	Materials	ASTM STANDARD

The material is according to ASTM Standard.
 Model Denote:EFC=Elite Flow Control | 02=Size in inch | GE=GLOBE Valve | 1=150Lb

CASTING GLOBE VALVE

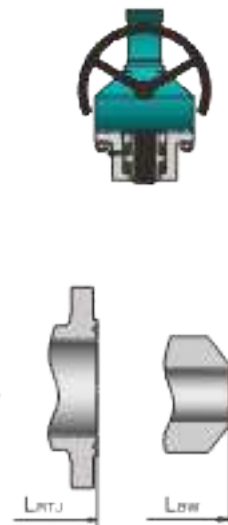


Single Disc
Low inlet to high outlet
 150~1500LB



Double Disc
High inlet to low outlet
 150~1500LB

Bevel Gear Operation

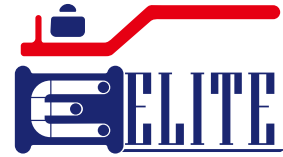


Material List

PART	STANDARD MATERIALS					
BODY	ASTM A216 WCB+STL	ASTM A352 LCB+STL	ASTM A351 CF8(CF3)	ASTM A351 CF8M(CF3M)	ASTM A995 4A	ASTM A217 WC6
DISC	ASTM A105+STL	ASTM A352 LF2+STL	ASTM A182 F304(L)	ASTM A182 F316(L)	ASTM A182 F51	ASTM A182 F6a+STL
STEM	ASTM A276 410	ASTM A276 410	ASTM A276 304(304L)	ASTM A276 316(316L)	ASTM A182 F51	ASTM A276 410
BONNET STUD	ASTM A193 B7	ASTM A320 L7	ASTM A193 B8	ASTM A193 B8(M)	ASTM A193 B8(M)	ASTM A193 B16
BONNET NUT	ASTM A194 2H	ASTM A194 7	ASTM A194 8	ASTM A194 8(M)	ASTM A194 8(M)	ASTM A194 4
BONNET GASKET	Reinforced Flat Graphite. or SS Spiral Wound W/Graphite or PTFE, or Reinforced PTFE					
BONNET	ASTM A216 WCB	ASTM A352 LCB	ASTM A351 CF8(CF3)	ASTM A351 CF8M(CF3M)	ASTM A995 4A	ASTM A217 WC6
BACKSEAT BUSHING	ASTM A276 410	ASTM A276 410	ASTM A351 CF8(CF3)	ASTM A351 CF8M(CF3M)	ASTM A995 4A	ASTM A276 410
PACKING	FLEXIBLE GRAPHITE or PTFE					
GLAND	ASTM A276 410	ASTM A276 410	ASTM A276 304	ASTM A276 316	ASTM A276 316	ASTM A276 410
GLAND FLANGE	ASTM A216 WCB	ASTM A352 LCB	ASTM A351 CF8	ASTM A351 CF8	ASTM A351 CF8	ASTM A216 WCB
GLAND EYE BOLT	ASTM A193 B7	ASTM A320 L7	ASTM A193 B8	ASTM A193 B8(M)	ASTM A193 B8(M)	ASTM A193 B16
NUT	ASTM A194 2H	ASTM A194 4	ASTM A194 8	ASTM A194 8(M)	ASTM A194 8(M)	ASTM A194 4
STEM NUT	BRONZE	BRONZE	BRONZE	BRONZE	BRONZE	BRONZE
HANDWHEEL	ASTM A47	ASTM A47	ASTM A47	ASTM A47	ASTM A47	ASTM A47

The material is according to ASTM Standard.
 Model Denote:EFC=Elite Flow Control | 02=Size in inch | GE=GLOBE Valve | 1=150Lb

MODEL NO.:EFC-02GE1
Size:2" ~ 16"(DN50 ~ DN400)



CASTING GLOBE VALVE

ASME CLASS 150 Dimensions

NPS DN	in mm	2 51	2 1/2 64	3 76	4 102	5 127	6 152	8 203	10* 254	12* 305	14* 337	16* 387
L (RF-BW)	in	8.00	8.50	9.50	11.50	14.00	16.00	19.50	24.50	27.50	31.00	36.00
	mm	203	216	241	292	356	406	495	622	698	787	914
L RTJ	in	8.50	9.00	10.00	12.00	14.50	16.50	20.00	25.00	28.20	31.50	36.50
	mm	216	229	254	305	369	419	508	635	711	800	927
H (Open)	in	13.43	14.45	14.76	19.02	21.15	22.72	23.23	29.69	37.05	42.72	45.90
	mm	341	367	375	483	537	577	590	754	941	1085	1166
øW	in	7.87	9.84	9.84	11.81	11.81	13.78	15.75	17.72	24	24	24
	mm	200	250	250	300	300	350	400	450	600	600	600
WT(Kg)	RF/RTJ	22	29	42	77	77	105	154	288	507	617	810
	BW	19	25	34	65	65	82	131	249	430	580	763

ASME CLASS 300 Dimensions

NPS DN	in mm	2 51	2 1/2 64	3 76	4 102	5 127	6 152	8 203	10* 254	12* 305	14* 337	16* 387
L (RF-BW)	in	10.50	11.50	12.50	14.00	15.75	17.50	22.00	24.50	28.00	33.00	34.00
	mm	267	292	318	356	400	444	559	622	711	838	864
L RTJ	in	11.12	12.12	13.12	14.62	16.37	18.12	22.62	25.12	28.62	33.62	34.62
	mm	283	308	334	372	416	460	575	638	727	854	880
H (Open)	in	13.74	14.80	16.93	19.13	22.05	24.33	36.89	38.54	43.17	48.42	58.66
	mm	349	376	430	486	560	618	937	979	1095	1230	1490
øW	in	7.87	9.84	9.84	13.78	15.75	17.72	21.6	24	24	24	24
	mm	200	250	250	350	400	450	550	600	600	600	600
WT(Kg)	RF/RTJ	31	43	57	86	130	168	280	385	724	1250	1840
	BW	26	38	44	68	110	138	228	329	618	1035	1535

ASME CLASS 600 Dimensions

NPS DN	in mm	2 51	2 1/2 64	3 76	4 102	6* 152	8* 200	10* 248	12* 298	14* 327	16* 375
L (RF-BW)	in	11.50	13.00	14.00	17.00	22.00	26.00	31.00	33.00	35.0	39.0
	mm	292	330	356	432	559	660	787	838	889	991
L RTJ	in	11.62	13.12	14.12	17.12	22.12	26.12	31.12	33.12	35.12	39.12
	mm	295	333	359	435	562	663	790	841	892	994
H (Open)	in	16.73	19.76	20.51	24.41	34.88	36.69	40.94	50.39	62.59	71.26
	mm	425	502	521	620	886	932	1040	1280	1590	1810
øW	in	9.84	11.81	13.78	17.72	21.6	25.20	24	24	24	24
	mm	250	300	350	450	550	640	600	600	600	600
WT(Kg)	RF/RTJ	39	58	73	150	327	563	1006	1450	1800	2370
	BW	33	48	61	135	261	480	730	1150	1510	1980

ASME CLASS 900 Dimensions

NPS DN	in mm	2 47	2 1/2 57	3 73	4* 98	6* 146	8* 190	10* 238	12* 282	14* 311	16* 356
L (RF-BW)	in	14.50	16.50	15.00	18.00	24.00	29.00	33.00	38.00	40.5	44.5
	mm	368	419	381	457	610	737	838	965	1029	1130
L RTJ	in	14.62	16.62	15.12	18.12	24.12	29.12	33.12	38.12	40.88	44.88
	mm	371	422	384	460	613	740	841	968	1039	1140
H (Open)	in	18.82	19.76	24.17	31.06	36.69	47.64	63.78	75.19	84.64	98.42
	mm	478	502	614	789	932	1210	1620	1910	2150	2500
øW	in	13.78	15.75	17.72	21.06	24	24	24	24	24	24
	mm	350	400	450	550	600	600	600	600	600	600
WT(Kg)	RF/RTJ	100	118	131	218	530	750	1120	2180	2920	3850
	BW	75	94	105	185	450	630	970	1810	2510	3350

ASME CLASS 1500 Dimensions

NPS DN	in mm	2 47	2 1/2 57	3 70	4* 92	6* 136	8* 178	10* 222	12* 263
L (RF-BW)	in	14.50	16.50	18.50	21.50	27.75	32.75	39.0	44.5
	mm	368	419	470	546	705	832	991	1130
L RTJ	in	14.62	16.62	18.62	21.62	28.00	33.13	39.38	45.12
	mm	371	422	473	549	711	842	1001	1146
H (Open)	in	23.31	25.98	27.24	35.71	51.77	84.44	102.75	120.08
	mm	592	660	692	907	1315	2145	2610	3050
øW	in	13.78	15.75	17.72	21.6	24	24	24	24
	mm	350	400	450	550	600	600	600	600
WT(Kg)	RF/RTJ	112	141	228	336	822	1060	1660	2720
	BW	84	115	183	277	715	890	1410	2410

*Manual gear operator is recommended.

The material is according to ASTM Standard.

Model Denote:EFC=Elite Flow Control | 02=Size in inch | GE=GLOBE Valve | 1=150Lb