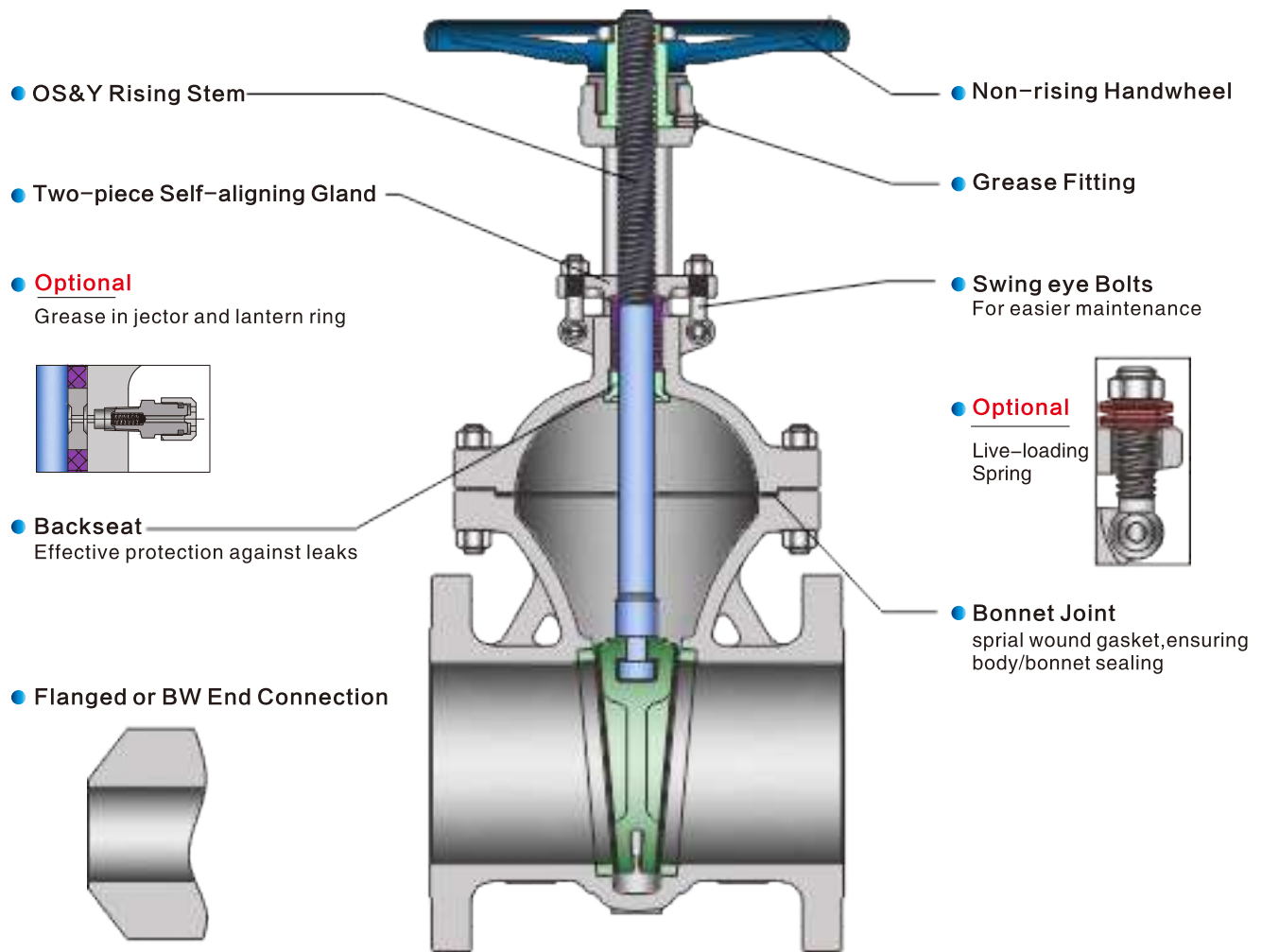




MODEL NO.:EFC-02GV1
Size:2" ~ 24" (DN50 ~ DN600)

API 600 CASTING GATE VALVE



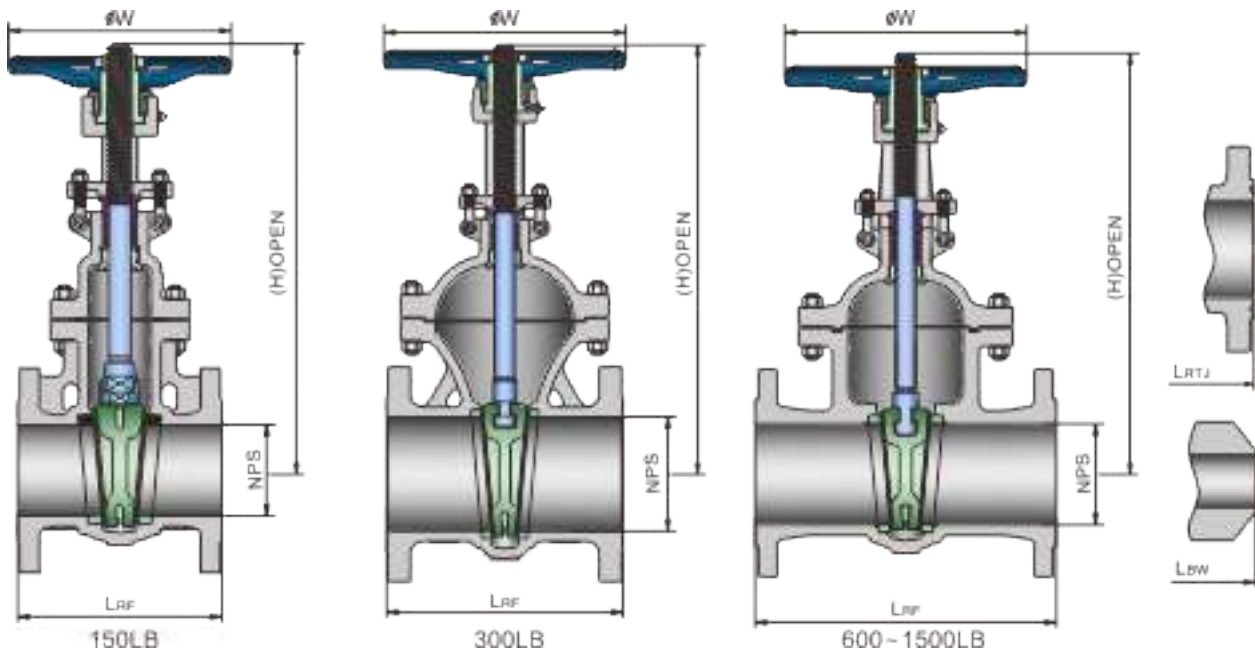
SPECIFICATION			
Design & MFG.	API 600,BS 1414	Press-Temp Rat.	ASME B16.34
Face To Face(Flange &Butt Weld)	ASME B16.10	Flange Design	ASME B16.5
Butt Weld Design	ASME B16.25	Materials	ASTM STANDARD

The material is according to ASTM Standard.
 Model Denote:EFC=Elite Flow Control | 02=Size in inch | GV=GATE Valve | 1=150Lb

MODEL NO.:EFC-02GV1
Size:2" ~ 24"(DN50 ~ DN600)



API 600 CASTING GATE VALVE



Material List

PART	STANDARD MATERIALS					
BODY	ASTM A216 WCB	ASTM A352 LCB	ASTM A351 CF8(CF3)	ASTM A351 CF8M(CF3M)	ASTM A995 4A	ASTM A217 WC6
GATE	ASTM A216 WCB+STL	ASTM A352 LCB+STL	ASTM A351 CF8(CF3)	ASTM A351 CF8M(CF3M)	ASTM A995 4A	ASTM A217 WC6+STL
SEAT	ASTM A105+STL	ASTM A352 LCB+STL	ASTM A351 CF8(CF3)+STL	ASTM A351 CF8M (CF3M)+STL	ASTM A995 4A+STL	ASTM A217 WC6+STL
STEM	ASTM A276 410	ASTM A276 410	ASTM A276 304(304L)	ASTM A276 316(316L)	ASTM A182 F51	ASTM A276 410
BONNET STUD	ASTM A193 B7	ASTM A320 L7	ASTM A193 B8	ASTM A193 B8(M)	ASTM A193 B8(M)	ASTM A193 B16
BONNET NUT	ASTM A194 2H	ASTM A194 7	ASTM A194 8	ASTM A194 8(M)	ASTM A194 8(M)	ASTM A194 4
BONNET GASKET	Reinforced Flat Graphite. or SS Spiral Wound W/Graphite or PTFE,or Reinforced PTFE					
BONNET	ASTM A216 WCB	ASTM A352 LCB	ASTM A351 CF8(CF3)	ASTM A351 CF8M(CF3M)	ASTM A995 4A	ASTM A217 WC6
BACKSEAT BUSHING	ASTM A276 410	ASTM A276 410	ASTM A351 CF8(CF3)	ASTM A351 CF8M(CF3M)	ASTM A995 4A	ASTM A276 410
PACKING	FLEXIBLE GRAPHITE or PTFE					
GLAND	ASTM A276 410	ASTM A276 410	ASTM A276 304	ASTM A276 316	ASTM A276 316	ASTM A276 410
GLAND FLANGE	ASTM A216 WCB	ASTM A352 LCB	ASTM A351 CF8	ASTM A351 CF8	ASTM A351 CF8	ASTM A216 WCB
GLAND EYEBOLT	ASTM A193 B7	ASTM A320 L7	ASTM A193 B8	ASTM A193 B8(M)	ASTM A193 B8(M)	ASTM A193 B16
NUT	ASTM A194 2H	ASTM A194 7	ASTM A194 8	ASTM A194 8(M)	ASTM A194 8(M)	ASTM A194 4
STEM NUT	BRONZE	BRONZE	BRONZE	BRONZE	BRONZE	BRONZE
HANDWHEEL	ASTM A47	ASTM A47	ASTM A47	ASTM A47	ASTM A47	ASTM A47

The material is according to ASTM Standard.

Model Denote:EFC=Elite Flow Control | 02=Size in inch | GV=GATE Valve | 1=150Lb



MODEL NO.:EFC-02GV1
Size:2" ~ 24" (DN50 ~ DN600)

API 600 CASTING GATE VALVE

ASME CLASS 150 Dimensions

NPS DN	in	2	2 1/2	3	4	5	6	8	10	12	14*	16*	18*	20*	24*
	mm	51	64	76	102	127	152	203	254	305	337	387	438	489	591
L _{RF}	in	7.00	7.50	8.00	9.00	10.00	10.50	11.50	13.00	14.00	15.00	16.00	17.00	18.00	20.00
	mm	178	190	203	229	254	267	292	330	356	381	406	432	457	508
L _{BW}	in	8.50	9.50	11.12	12.0	15.00	15.88	16.50	18.00	19.75	22.50	24.00	26.00	28.00	32.00
	mm	216	241	282	305	381	403	419	457	502	572	610	660	711	813
L _{RTJ}	in	7.50	8.00	8.50	9.50	10.50	11.00	12.00	13.50	14.50	15.50	16.50	17.50	18.50	20.50
	mm	191	203	216	242	267	280	305	343	369	394	419	445	470	521
H (Open)	in	15.20	17.3	19.02	23.11	26.50	30.20	37.60	45.12	52.28	59.80	67.76	74.80	83.31	97.64
	mm	386	435	483	587	673	767	955	1146	1328	1519	1721	1900	2116	2480
øW	in	7.87	7.87	9.84	9.84	11.81	11.81	13.78	15.70	17.70	19.70	21.60	24.80	24.80	24.80
	mm	200	200	250	250	300	300	350	400	450	500	550	630	630	630
WT (Kg)	RF/RTJ	20	30	40	53	71	85	136	220	323	387	553	660	810	1250
	BW	17	26	29	46	66	77	116	202	294	350	506	575	720	1130

ASME CLASS 300 Dimensions

NPS DN	in	2	2 1/2	3	4	5	6	8	10	12*	14*	16*	18*	20*	24*
	mm	51	64	76	102	127	152	203	254	305	337	387	432	483	584
L (RF-BW)	in	8.50	9.50	11.12	12.00	15.00	15.88	16.50	18.00	19.75	30.00	33.00	36.00	39.00	45.00
	mm	216	241	282	305	381	403	419	457	502	762	838	914	991	1143
L _{RTJ}	in	9.12	10.12	11.74	12.62	15.62	16.50	17.12	18.62	20.37	30.62	33.62	36.62	39.75	45.88
	mm	232	257	298	321	397	419	435	473	518	778	854	930	1010	1165
H (Open)	in	16.42	18.11	20.71	25.59	27.32	32.44	38.86	46.93	56.34	61.38	69.21	76.46	84.45	104.3
	mm	417	460	526	650	694	824	987	1192	1431	1559	1758	1942	2145	2650
øW	in	7.87	7.87	9.84	9.84	11.81	13.78	15.75	17.70	19.69	21.60	24.80	24.80	24.80	24.8
	mm	200	200	250	250	300	350	400	450	500	550	630	630	630	630
WT(Kg)	RF/RTJ	30	39	55	83	92	137	240	333	536	699	1010	1205	1720	2662
	BW	26	34	47	68	77	118	195	271	432	595	848	1025	1460	2380

ASME CLASS 600 Dimensions

NPS DN	in	2	2 1/2	3	4	6	8	10	12*	14*	16*	18*	20*	24*
	mm	51	64	76	102	152	200	248	298	327	375	419	464	559
L (RF-BW)	in	11.50	13.00	14.00	17.00	22.0	26.00	31.00	33.00	35.00	39.00	43.00	47.00	55.00
	mm	292	330	356	432	559	660	787	838	889	991	1092	1194	1397
L _{RTJ}	in	11.62	13.12	14.12	17.12	22.12	26.12	31.12	33.12	35.12	39.12	43.12	47.25	55.38
	mm	295	333	359	435	562	663	790	841	892	994	1095	1200	1407
H (Open)	in	16.81	18.62	21.18	25.87	34.33	43.35	50.35	58.50	64.69	70.79	82.72	88.94	111.61
	mm	427	473	538	657	872	1101	1279	1486	1643	1798	2101	2259	2835
øW	in	7.87	9.84	11.81	13.78	17.70	19.70	21.60	24.80	24.80	24.80	24.80	24.80	24.80
	mm	200	250	300	350	450	500	550	630	630	630	630	630	630
WT(Kg)	RF/RTJ	41	58	88	131	253	413	623	784	1288	1820	2150	2540	3820
	BW	35	50	68	104	208	328	496	637	1120	1448	1828	2201	3218

ASME CLASS 900 Dimensions

NPS DN	in	2	2 1/2	3	4	6	8*	10*	12*	14*	16*	18*	20*	24*
	mm	47	57	73	98	146	190	238	282	311	356	400	445	534
L (RF-BW)	in	14.50	16.50	15.00	18.00	24.00	29.00	33.00	38.00	40.50	44.50	48.00	52.00	61.00
	mm	368	419	381	457	610	737	838	965	1029	1130	1219	1321	1549
L _{RTJ}	in	14.62	16.62	15.12	18.12	24.12	29.12	33.12	38.12	40.88	44.88	48.5	52.5	61.75
	mm	371	422	384	460	613	740	841	968	1039	1140	1232	1334	1568
H (Open)	in	21.54	27.56	25.51	28.70	40.98	49.61	62.60	70.67	79.72	85.43	93.89	104.65	117.32
	mm	547	700	648	729	1041	1260	1590	1795	2025	2170	2385	2658	2980
øW	in	9.84	11.81	11.81	13.78	19.70	24.80	24.80	24.80	24.80	24.80	24.80	24.80	24.80
	mm	250	300	300	350	500	630	630	630	630	630	630	630	630
WT(Kg)	RF/RTJ	90	110	123	148	420	650	1160	1700	2300	2750	4050	5120	6350
	BW	82	93	108	122	359	566	980	1450	2000	2390	3490	4320	5120

ASME CLASS 1500 Dimensions

NPS DN	in	2	2 1/2	3	4	6*	8*	10*	12*	14*	16*	18*	20*	24*
	mm	47	57	70	92	136	178	222	263	289	330	371	416	498
L (RF-BW)	in	14.50	16.50	18.50	21.50	27.75	32.75	39.00	44.50	49.50	54.50	60.5	65.5	76.5
	mm	368	419	470	546	705	832	991	1130	1257	1384	1537	1664	1943
L _{RTJ}	in	14.62	16.62	18.62	21.62	30.00	33.13	39.38	45.12	50.25	55.38	61.38	66.38	77.62
	mm	371	422	473	549	711	842	1001	1146	1276	1407	1559	1686	1971
H (Open)	in	22.60	27.56	31.73	34.92	42.48	53.94	59.84	65.00	76.57	88.58	124.10	137.20	157.08
	mm	574	700	806	887	1079	1370	1520	1651	1945	2250	3152	3485	3990
øW	in	11.81	11.81	13.78	15.75	21.60	24.80	24.80	24.80	24.80	24.80	24.80	24.80	24.80
	mm	300	300	350	400	550	630	630	630	630	630	630	630	630
WT(Kg)	RF/RTJ	117	175	240	337	680	1228	3260	4100	4100	6200	8500	11750	13980
	BW	93	144	185	285	584	978	2850	3320	3320	5300	7450	10800	12900

*Manual gear operator is recommended.

The material is according to ASTM Standard.
 Model Denote: EFC=Elite Flow Control | 02=Size in inch | GV=GATE Valve | 1=150Lb